

HOME VENTILATION WITH HEAT RECOVERY

Ventilation units
M-WRG-II P-T (-F, -FC)
M-WRG-II E-T (-F, -FC)



**OPERATING AND
INSTALLATION INSTRUCTIONS**

Part no. 744008EN Week 43/2019 EN



Contents

1	Introduction	5
1.1	Notes on these operating and installation instructions	5
1.2	Description	5
1.2.1	InControl pushbutton sensor	6
1.2.2	Three-step rotary switch with zero position	7
1.2.3	Optional pushbutton for intensive ventilation	7
1.2.4	Optional accessories	7
1.3	Target group	7
1.4	EU declaration of conformity	7
1.5	National technical approval (for Germany)	8
1.6	Nameplate	8
1.7	Technical data	9
1.7.1	Electrical connection	9
1.7.2	Dimensions and weight	9
1.7.3	Noise emission	9
1.7.4	Unit properties	10
1.7.5	Unit features	10
1.7.6	Air filters	11
1.8	Storage	11
1.9	Environmentally-friendly disposal	11
1.10	Revision index	11
1.11	Explanation of the symbols used	11
1.12	Supplementary documents	11
2	Safety instructions	12
2.1	Hazard classification	12
2.2	Notes on using the ventilation units safely	12
2.2.1	Fire protection	12
2.2.2	Operation with fireplaces	12
2.2.3	Installation in wet areas	13
2.2.4	Condensate drain	13
2.2.5	Starting and using the ventilation unit	13
2.3	Notes on using the ventilation units	13
2.4	Note on use in conjunction with room air conditioners	14
2.5	Intended use	14
3	Warranty and liability	15
3.1	Warranty	15
3.2	Liability	15
4	Dimensions	16
4.1	Ventilation unit without duct adapters	16
4.2	Ventilation unit with duct adapters	17
5	Structure and function	18
5.1	Overview of the modules	18
5.1.1	Ventilation unit – with cover attached	18
5.1.2	Ventilation unit – with cover removed	18
5.2	Description of the functions	19
5.2.1	How the M-WRG-II ventilation unit works	19
5.2.2	How the cross-counterflow plate heat exchanger works	20

6	Rules for correct usage	21
6.1	General	21
6.2	Seasonal operation	21
6.2.1	Operation at cold times of year	21
6.2.2	Summer mode	22
6.3	Air filters	22
7	Controls and indicators	23
7.1	Controls and indicators on the ventilation unit	23
7.1.1	Default assignment of the membrane touch pad	24
7.1.2	LED indicators on the ventilation unit	25
7.2	Controls and indicators on the InControl pushbutton sensor	26
7.2.1	InControl pushbutton sensor for type M-WRG-II P-T and M-WRG-II E-T units	26
7.2.2	InControl pushbutton sensor for type M-WRG-II P-T-F and M-WRG-II E-T-F units	26
7.2.3	InControl pushbutton sensor for type M-WRG-II P-T-FC and M-WRG-II E-T-FC units	27
7.2.4	Status indicators on the InControl pushbutton sensor	27
7.3	Three-step rotary switch with zero position (provided by customer)	28
8	Starting up	28
8.1	Checking the ventilation unit before switching on for the first time	28
8.2	Switching on the ventilation unit	28
9	Operating the ventilation unit	29
9.1	Selecting the ventilation level/program	29
9.2	Setting the ventilation unit to Standby mode	29
9.2.1	Activating Standby mode with the InControl pushbutton sensor	29
9.2.2	Activating Standby mode with the three-step rotary switch	29
9.3	Optional pushbutton for intensive ventilation	30
9.4	Frost protection function	30
10	Ventilation levels/programs	31
10.1	“Reduced ventilation (people absent)”	31
10.2	“Normal ventilation (people present)”	31
10.3	“Increased ventilation”	31
10.4	“Intensive ventilation (temporary 15 min)”	31
10.5	“Supply air operation (summer mode)”	31
10.6	“Extract air operation”	31
10.7	“Humidity control”	32
10.8	“CO ₂ control”	32
10.9	“Automatic mode”	32
11	Options for ventilation mode	33
11.1	External control input	33
11.1.1	Description	33
11.1.2	Factory defaults and possible adjustment ranges	33
11.1.3	M-WRG-II O/EST-1, part no. 721005, and M-WRG-II O/EST-2, part no. 721006	33
11.2	M-WRG-II O/PARM, part no. 721000	33
11.3	M-WRG-II O/MVS, part no. 721001	34
11.4	M-WRG-II O/VOC-AUL, part no. 721002	34
11.5	M-WRG-II O/EGG-AUS, part no. 721003	34
11.6	M-WRG-II O/NOF, part no. 721004	34
11.7	M-WRG-II O/LFS, part no. 721007	35
11.7.1	Description	35
11.7.2	Factory defaults	35

12	Filter maintenance	36
12.1	Choice of filter	36
12.2	Ordering filters	36
12.3	Changing the air filters	37
12.3.1	Removing the cover from the ventilation unit	37
12.3.2	Removing the extract air filter	37
12.3.3	Removing the outdoor air filter	38
12.3.4	Inserting the new extract air filter	38
12.3.5	Inserting the new outdoor air filter	39
12.3.6	Attaching the unit cover to the ventilation unit	39
12.3.7	Resetting the filter change indicator	40
13	Cleaning	40
14	Troubleshooting	41
15	Installing the InControl pushbutton sensor	42
15.1	Switching off power to the ventilation unit	42
15.2	Removing the cover from the ventilation unit	43
15.3	Removing the electronics compartment cover plate	43
15.4	Overview of the modules	44
15.4.1	Connection board in the ventilation unit with terminal assignment	44
15.4.2	InControl pushbutton sensor	45
15.4.3	Connection diagram	45
15.5	Connection of 1 ventilation unit	46
15.5.1	Connecting the InControl pushbutton sensor to M-WRG-II P-T / M-WRG-II E-T	46
15.5.2	Connecting the InControl pushbutton sensor to M-WRG-II P-T-F / M-WRG-II E-T-F	47
15.5.3	Connecting the InControl pushbutton sensor to M-WRG-II P-T-FC / M-WRG-II E-T-FC	48
15.6	Connection of 2 to 5 ventilation units	49
15.6.1	Connecting the InControl pushbutton sensor to M-WRG-II P-T / M-WRG-II E-T	49
15.6.2	Connecting the InControl pushbutton sensor to M-WRG-II P-T-F / M-WRG-II E-T-F	50
15.6.3	Connecting the InControl pushbutton sensor to M-WRG-II P-T-FC / M-WRG-II E-T-FC	50
15.7	Final tasks	51
16	Installing the three-step rotary switch with zero position	52
16.1	Switching off power to the ventilation unit	52
16.2	Removing the cover from the ventilation unit	53
16.3	Removing the electronics compartment cover plate	53
16.4	Overview of the modules	54
16.4.1	Connection board in the ventilation unit with terminal assignment	54
16.4.2	Three-step rotary switch with zero position	54
16.4.3	Optional pushbutton for intensive ventilation and optional LED for feedback	54
16.5	Setting DIP switch 2 to the “Schalter (switch)” position	55
16.6	Connecting the control cable and optional pushbutton/LED to the ventilation unit boards	55
16.6.1	Terminal assignment (example of a BUSCH-JAEGER three-step rotary switch with zero position)	55
16.6.2	Circuit diagram (example of a BUSCH-JAEGER three-step rotary switch with zero position)	56
16.7	Final tasks	57

1 Introduction

1.1 Notes on these operating and installation instructions



These original operating and installation instructions contain important information that should be followed when setting up and using the M-WRG-II P-T (-F, -FC) and M-WRG-II E-T (-F, -FC) ventilation units and when installing the InControl pushbutton sensor and three-step rotary switch with zero position.

- ▶ Read all the instructions carefully before starting up the ventilation unit to avoid possible risks and mistakes.
- ▶ When assembly is complete, give these instructions to the home owner, caretaker or property manager.
- ▶ These instructions are part of the product. Keep the instructions in a safe place for future reference.

WARNING

- ▶ Follow ALL danger and warning instructions and notes on precautionary measures.
- ▶ Read section “2 Safety instructions” on page 12 carefully.

1.2 Description

These instructions describe how to set up and operate the decentralised ventilation units M-WRG-II P-T (-F, -FC) and M-WRG-II E-T (-F, -FC) (see Fig. 1).

They also explain how to connect the InControl pushbutton sensor and the three-step rotary switch with zero position electrically to the ventilation unit.

M-WRG stands for Meltem heat recovery. Home ventilation expertise extending back nearly 40 years has been incorporated into this product from Meltem Wärmerückgewinnung.

Using windows for ventilation, particularly during periods of cold weather, is now a thing of the past. This ventilation unit brings in outdoor air fully automatically, and heats it by recovering heat from the air that is extracted. Outdoor air and extract air are routed in separate ducts through a cross-counterflow plate heat exchanger (see section 5.2.2 on page 20). You save on heating costs, increase your living comfort and are kind to the environment by reducing CO₂ emissions. An air filter also removes respirable particulates such as pollen, soot and bacteria from dust class PM1 from the outdoor air. It is also possible to monitor the outdoor air quality



Fig. 1: M-WRG-II P-T / M-WRG-II E-T ventilation unit

with a VOC sensor; if the air load is high (e.g. due to biological decay and decomposition processes, motor traffic exhaust fumes or volatile by-products from industrial and commercial operations) the proportion of supply air can be reduced temporarily until the available outdoor air quality has improved (only for units with a CO₂ sensor, specifically M-WRG-II...-T-FC units).

The ventilation units are designed to run continuously and can be equipped with sensors for demand-controlled ventilation. They can be surface-mounted, flush-mounted or integrated into the wall (U²). The ventilation units are low-maintenance, but **regular air filter changes** are important.

The ventilation units from the M-WRG-II P-T and M-WRG-II E-T series are equipped with an interface to which an InControl pushbutton sensor, a three-step rotary switch with zero position and an optional pushbutton for activating an intensive ventilation program may be connected. This allows the ventilation units to be operated both via the InControl pushbutton sensor or three-step rotary switch and via the membrane touch pad on the unit.

The 5 buttons on the membrane touch pad on the side of the unit are used to set different ventilation levels / programs and a time-limited intensive ventilation program. It therefore allows you to adapt the air flow to your needs.

Beside each button is an LED that displays the active ventilation program and further information about the unit's status (air filter change, fault, etc.).

The ventilation units from the M-WRG-II P-T and M-WRG-II E-T series are equipped with heat exchangers that work on the cross-counterflow principle. M-WRG-II E-T also has a function for recovering moisture from the extract air (enthalpy heat exchanger).

The M-WRG-II P-T-F and M-WRG-II E-T-F ventilation units have various ventilation levels / programs, including a humidity control. In addition to the humidity control, M-WRG-II P-T-FC and M-WRG-II E-T-FC units have a CO₂ control or an automatic mode (humidity and CO₂ control). The CO₂ value is the most important measurement for assessing the air quality. A microprocessor integrated into the unit calculates the optimum air renewal from the values measured by the relative humidity and CO₂ sensors and sets the correct ventilation level fully automatically.

1.2.1 InControl pushbutton sensor

One to five ventilation units of the same type can be controlled in a room with one InControl pushbutton sensor. Six different ventilation programs can be selected. The LEDs integrated into the pushbutton sensor indicate the currently active ventilation program and whether an air filter replacement is required or a fault message is pending.



Fig. 2: InControl pushbutton sensor M-WRG-T/...

1.2.2 Three-step rotary switch with zero position

The ventilation unit can be operated via a three-step rotary switch with zero position (provided by the customer). A suitable example is available from BUSCH-JAEGER or GIRA.

The three-step rotary switch is used to select one of three different ventilation programs. In the zero position, the ventilation unit is in standby mode.

1.2.3 Optional pushbutton for intensive ventilation

In addition to the three-step rotary switch, an optional pushbutton may be installed for activating 15 minutes of intensive ventilation at maximum power level.

1.2.4 Optional accessories

Part no.	Type	Description
5478-10	M-WRG-FBH	The wireless remote control is used to control, program and extend the range of functions of all M-WRG-II units. It can also be used to read the number of operating hours.
5478-20	M-WRG-FT	The 4-way wireless pushbutton switch with LED feedback allows the M-WRG-II units to be operated wirelessly.
5478-11	M-WRG-ALGH	The mobile reader is used to read the number of hours for which the M-WRG-II units have been in use.

Table 1: Optional accessories

1.3 Target group

These operating and installation instructions are aimed at two target groups:

- Chapters “1 Introduction” to “14 Troubleshooting” are intended for users of the ventilation unit. No special prior knowledge is needed.
- The activities described in chapters “15 Installing the InControl pushbutton sensor” and “16 Installing the three-step rotary switch with zero position” must only be carried out by technicians with the following qualifications:
 - Training in the installation and commissioning of electrical devices
 - Training in electrical hazards and the local safety requirements
 - Knowledge of the relevant standards and directives
 - Knowledge and observance of this document and all the safety instructions

1.4 EU declaration of conformity

The ventilation units from the M-WRG-II P and M-WRG-II E series manufactured by
Meltem Wärmerückgewinnung GmbH & Co. KG
Am Hartholz 4
82239 Alling

conform to the regulations and standards listed in the EU Declaration of Conformity provided.

1.5 National technical approval (for Germany)

An application for a national technical approval is made to the Deutsches Institut für Bautechnik (DIBt), quoting reference III 57-1.51.3-57/17.

- For installation outside Germany, the national regulations applicable in your country should be followed.

1.6 Nameplate

Meltem Wärmerückgewinnung GmbH & Co. KG Am Hartholz 4 82239 Alling www.meltem.com Tel.: 08141-40 41 79-0		
Device no.:	Type: M-WRG-II P-T	
	Part no.: 700010	
	max. 53 W	
	230 V	50 Hz IPX4
	CE	□ Iso-Kl. B

Fig. 3: Nameplate

You will find the nameplate on the intermediate plate on the inside of the housing (see item 1 in Fig. 4).



Fig. 4: Position of the nameplate

1.7 Technical data

1.7.1 Electrical connection

Unit types	M-WRG-II P-T / M-WRG-II E-T	M-WRG-II P-T (-F, -FC) / M-WRG-II E-T (-F, -FC)
Operating voltage	230 V AC (working voltage range: 85 V AC to 265 V AC)	
Mains frequency	50 to 60 Hz	
Power consumption	4.6 to 52.4 W / 4.4 to 53.4 W	
Power consumption in standby mode	0.8 W	
Maximum current consumption	0.42 A	
IP code	IPX4 IPX5 with Integrated into wall U ² installation version	
Energy efficiency class (ErP)	B	A

1.7.2 Dimensions and weight

Unit dimensions excluding air connectors, see also section 4 on page 16	364 x 590 x 218 mm (W x H x D)
Visible unit depth when surface-mounted	218 mm
Visible unit depth when flush-mounted	58 mm
Visible unit depth when integrated into wall	-
Outdoor air/exhaust air connectors	DN 100
Weight	Approx. 8.3 kg

1.7.3 Noise emission

Sound pressure level $L_{p,A}$ surface-mount	17.5 to 48.1 dB(A)/ A_{eq} 10 m ²
Sound pressure level $L_{p,A}$ flush-mount or with ductwork connection on extract air side	13.0 to 48.6 dB(A)/ A_{eq} 10 m ² or 12.6 to 46.4 dB(A)/ A_{eq} 10 m ²
Sound pressure level $L_{p,A}$ integrated into wall U ² with ductwork connection on extract air side	8.4 to 42.1 dB(A)/ A_{eq} 10 m ²
Sound insulation $D_{n,e,w}$ unit in use depending on installation version	51 to 70 dB

1.7.4 Unit properties

Unit types	M-WRG-II P-T / M-WRG-II E-T	M-WRG-II P-T (-F, -FC) / M-WRG-II E-T (-F, -FC)
Type of system	Decentralised, heat recuperation	
Air flow	10 to 100 m ³ /h	
Heat recovery efficiency (max.), DIN EN 13141-8	Up to 94% / 91%	
Colour	White similar to RAL 9010	
TÜV-tested	Yes	
Hygiene tested for conformity with VDI 6022 sheet 1	W-304132-18-WD	
Passivhaus certificate (PHI)	1327vs03 / 1328vs03	
National technical approval (DIBt)	Applied for, reference number: III 57-1.51.3-57/17	

1.7.5 Unit features

Unit types	M-WRG-II P-T / M-WRG-II E-T	M-WRG-II P-T (-F, -FC) / M-WRG-II E-T (-F, -FC)
Output control	5-level on the unit, 10-level with accessories	5-level on the unit, 10-level with accessories, infinitely variable with humidity/CO ₂ sensors
Interface for connecting external controls	InControl pushbutton sensor, three-step rotary switch with zero position, pushbutton for intensive ventilation	
Supply air / exhaust air fan	EC direct current radial fan	
Heat exchanger	Cross-counterflow plate heat exchanger, on M-WRG-II E-T (-F, -FC) with enthalpy	
Filter monitoring with filter change indicator	Runtime-controlled, visual	
Condensate drain	Via condensate connection / not required*	
Fully automatic cover flap control when switching On / Off, in Standby mode and if the power fails	Yes	
Frost protection function	Yes	
“Unit OFF” input (smoke detector, window contact)	Optional	
Fault indicator output	Optional	
Operating hours display	Using optional accessories (see section 1.2.4 on page 7)	
Humidity control	No	Yes
CO ₂ control / automatic mode (humidity and CO ₂ control)	No	With -T-FC units
Filter type	Round filter cartridges for outdoor air and extract air	

* Intended usage as described in operating instructions, not exposed to excessive humidity

1.7.6 Air filters

Designation	Filter class
Outdoor air filter	ISO ePM1 60% (F7)
Activated charcoal filter for outdoor air (optional)	ISO ePM2,5 55% (F7)
Extract air filter	ISO Coarse 60% (G4)

1.8 Storage

- ▶ Store the ventilation unit in its original packaging in a dry place where the temperature ranges between 0 °C and +40 °C.

1.9 Environmentally-friendly disposal

The ventilation units must not be disposed of in the residual waste bin.

- ▶ Dispose of the ventilation unit in accordance with the waste disposal regulations that apply on site.

1.10 Revision index

Edition	Manual	Date
2nd edition	Operating and installation instructions for M-WRG-II P-T (-F, -FC) and M-WRG-II E-T (-F, -FC) ventilation units	Week 43/2019 EN

1.11 Explanation of the symbols used

- ▶ This symbol indicates an action to be taken.
- This symbol indicates a list.

1.12 Supplementary documents

Manual	Part no.
Installation manual for flush-mount installation kit with plastering trim (solid construction) M-WRG-II M/MB	744001EN
Installation manual for flush-mount installation kit M-WRG-II M (frame construction)	744002EN
Installation manual for flush-mount installation kit M-WRG-II M-U ²	744003EN
Installation manual for M-WRG-II ventilation units	744004EN
Installation manual for outer wall terminals M-WRG-II ES (-P, -PK)	744005EN
Installation manual for window reveal installation kit	744006EN
User guide for wireless remote control M-WRG-FBH	5302-25-01
User guide for mobile operating hours reader M-WRG-ALGH	5302-26-01
Installation instructions and user guide for 4-way wireless pushbutton switch M-WRG-FT	5301-14-01

Table 2: Supplementary documents

2 Safety instructions

These instructions contain notes that you must follow for your own personal safety and to avoid injury and damage to property. They are highlighted by warning triangles and are shown as follows according to the level of danger.

2.1 Hazard classification

DANGER

The signal word designates a hazard with a **high** degree of risk which, if it is not avoided, will result in death or severe injury.

WARNING

The signal word designates a hazard with a **medium** degree of risk which, if it is not avoided, will result in death or severe injury.

CAUTION

The signal word designates a hazard with a **low** degree of risk which, if it is not avoided, could result in minor or moderate injury.

NOTICE

A note as used in this manual contains important information about the product or about a part of the manual to which particular attention should be paid.

2.2 Notes on using the ventilation units safely

2.2.1 Fire protection

Follow the generally applicable fire safety requirements when planning and installing the unit.

2.2.2 Operation with fireplaces

- An additional safety device (underpressure or differential pressure monitor) is needed to monitor operation when M-WRG-II ventilation units are used in conjunction with fireplaces.
- Follow the requirements of the German Fire Code (FeuVo) when planning and installing the unit.
- Contact the local chimney sweep before the end of the planning phase.
- Have the chimney sweep approve the operation of the ventilation unit.

2.2.3 Installation in wet areas

The following rules from DIN VDE 0100-701/702 (IEC 60364-7-701) apply to installation of M-WRG-II ventilation units in wet areas:

- Protection zone 0: The unit must NOT be installed in this area.
- Protection zone 1: The unit must only be installed with the “integrated into wall” U² variant. The extract and supply air valves must be installed in the top part of the wall or in the ceiling.
- Protection zone 2 and other zone: The unit may be installed in this area.

Country-specific standards/regulations on observing the protection zones for installation in rooms with bathtub or shower must also be followed.

2.2.4 Condensate drain

The heat recovery process in our ventilation units causes condensation. This condensation is dissipated via the exhaust air pipe.

- If M-WRG-II P ventilation units are used, a condensate connection should be provided (see installation manuals for installation kits and ventilation units in section 1.12 on page 11).
- With M-WRG-II E ventilation units (with enthalpy heat exchanger) there is no condensation if the following requirements are fulfilled:
 - The ventilation unit is operated as described in “Intended use” (see section 2.5 on page 14) and chapter “6 Rules for correct usage” on page 21.
 - There is no exceptional loading due to very high atmospheric humidity.

2.2.5 Starting and using the ventilation unit

- Do not start up the ventilation unit until it is fully installed.
- Always operate the ventilation unit with the air filters fitted.
- Always make sure that the cover is closed and locked in place before using the ventilation unit.
- Please note that the ventilation unit must not be used without the outer wall terminal for safety reasons.

2.3 Notes on using the ventilation units

- This unit may be used by children from 8 years old and by persons of restricted physical, sensory or mental abilities or persons lacking experience and knowledge if they are supervised or have been instructed in how to use the unit safely and understand the associated hazards. Do not allow children to play with the unit. Cleaning and user maintenance must not be carried out by children unless they are supervised.
 - ▶ Follow the regulations applicable in your country concerning the age from which people may be permitted to operate the ventilation unit.

- The ventilation unit must always be freely accessible for operation and maintenance.
 - ▶ Make sure that the ventilation unit is not covered or obstructed when the room is subsequently decorated and furnished, otherwise it cannot be operated and it will not be possible to change the air filters. You should therefore maintain a clearance of at least 15 cm in front of the ventilation unit cover.
 - ▶ Make sure that the supply and extract air openings are not covered when the room is subsequently decorated and furnished, otherwise the ventilation unit's functions may be impaired.

2.4 Note on use in conjunction with room air conditioners

Condensation may form in the ventilation unit if the external air temperature and humidity are high, but the room temperature is cool.

For these conditions, we recommend using the M-WRG-II E ventilation unit with enthalpy heat exchanger. This has the advantage of removing both sensible and latent heat from the supply air. As a result, the air is dehumidified as well as being precooled. The room air conditioner needs to do less work, so the user saves money on the reduced power consumption.

2.5 Intended use

- The ventilation unit is designed to ventilate living spaces and rooms used for quasi-residential purposes. The ventilation unit is installed in a perpendicular position in the external wall. Any different or more extensive usage will be regarded as contrary to the intended use.
- The intended use also includes compliance with all the notes in the operating instructions.
- The ventilation unit must not be operated without air filters or outer wall terminal.
- The ventilation unit is intended for use in rooms with normal room air humidity levels of approx. 40 % to 70 % RH. It must not be installed in rooms in which the relative humidity during operation constantly exceeds 80 %.
- The ventilation unit's functions may be impaired or the unit may be damaged in rooms with a lot of dust (e.g. model-making) or corrosive gas emissions (e.g. blueprint shop, cleaning).
- For any use contrary to the intended use, Meltem Wärmerückgewinnung GmbH & Co. KG shall accept no liability for any damage that may occur and offers no warranty that the ventilation unit will work perfectly and correctly.

3 Warranty and liability

3.1 Warranty

The following cases shall invalidate the warranty:

- The installation kit was not installed as described in the installation manual.
- The ventilation unit was not installed as described in the installation manual.
- The ventilation unit was flush-mounted without using a flush-mount installation kit.
- Genuine parts/genuine air filters were not replaced with genuine parts.
- Unapproved changes were made to the installation kit or ventilation unit.
- Repairs were not carried out by Meltem or by an authorised specialist company.
- The ventilation unit was operated without air filters and outer wall terminals.
- The warranty does not cover wearing parts such as air filters.

3.2 Liability

The manufacturer's liability shall not apply in the following cases:

- The installation kit was not installed as described in the installation manual.
- The ventilation unit was not installed as described in the installation manual.
- The ventilation unit was flush-mounted without using a flush-mount installation kit.
- Genuine parts/genuine air filters were not replaced with genuine parts.
- Unapproved changes were made to the installation kit or ventilation unit.
- Repairs were not carried out by Meltem or by an authorised specialist company.
- The ventilation unit was operated without air filters and outer wall terminals.

4 Dimensions

4.1 Ventilation unit without duct adapters

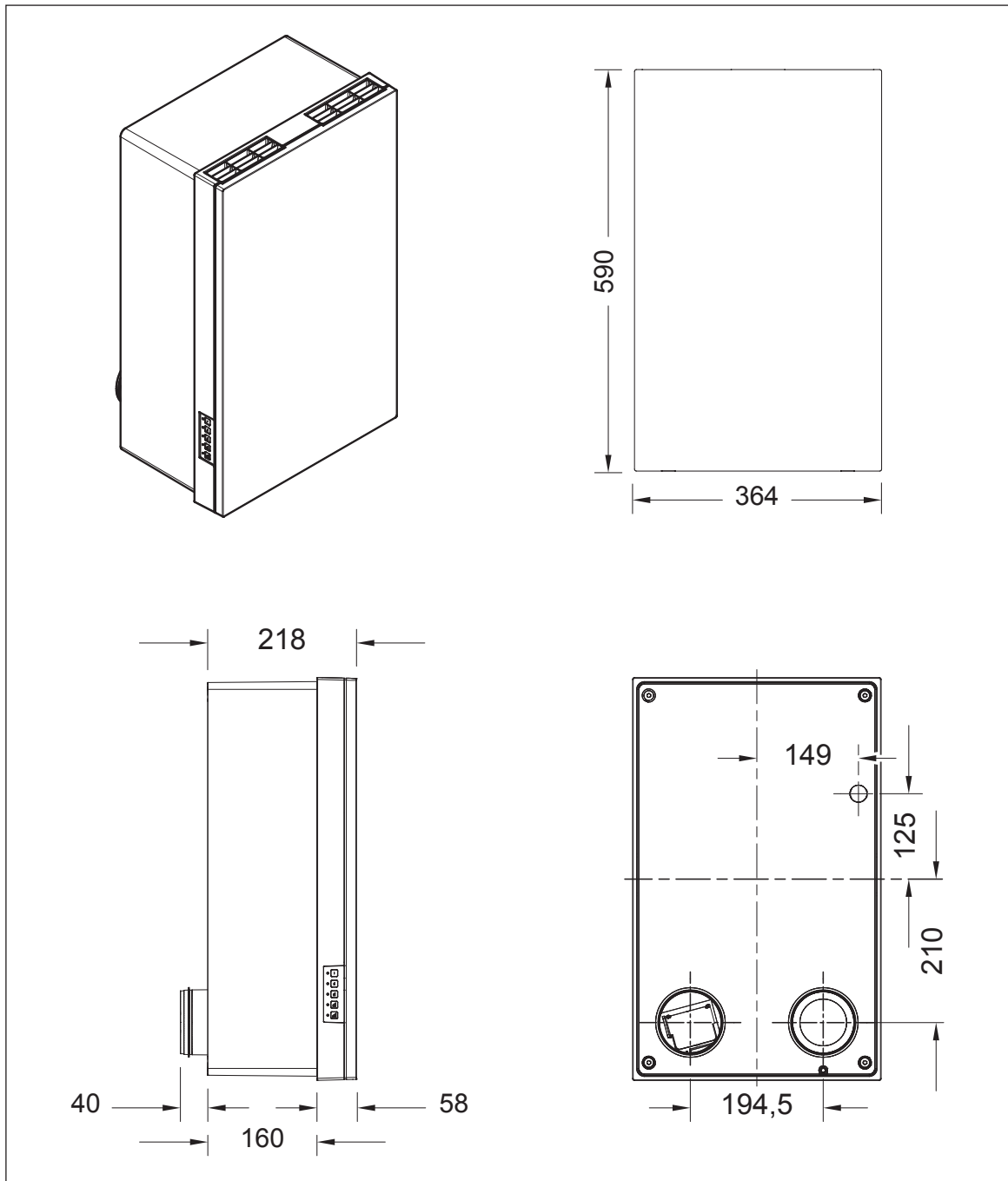


Fig. 5: M-WRG-II ventilation unit without duct adapters, dimensions in millimetres

4.2 Ventilation unit with duct adapters

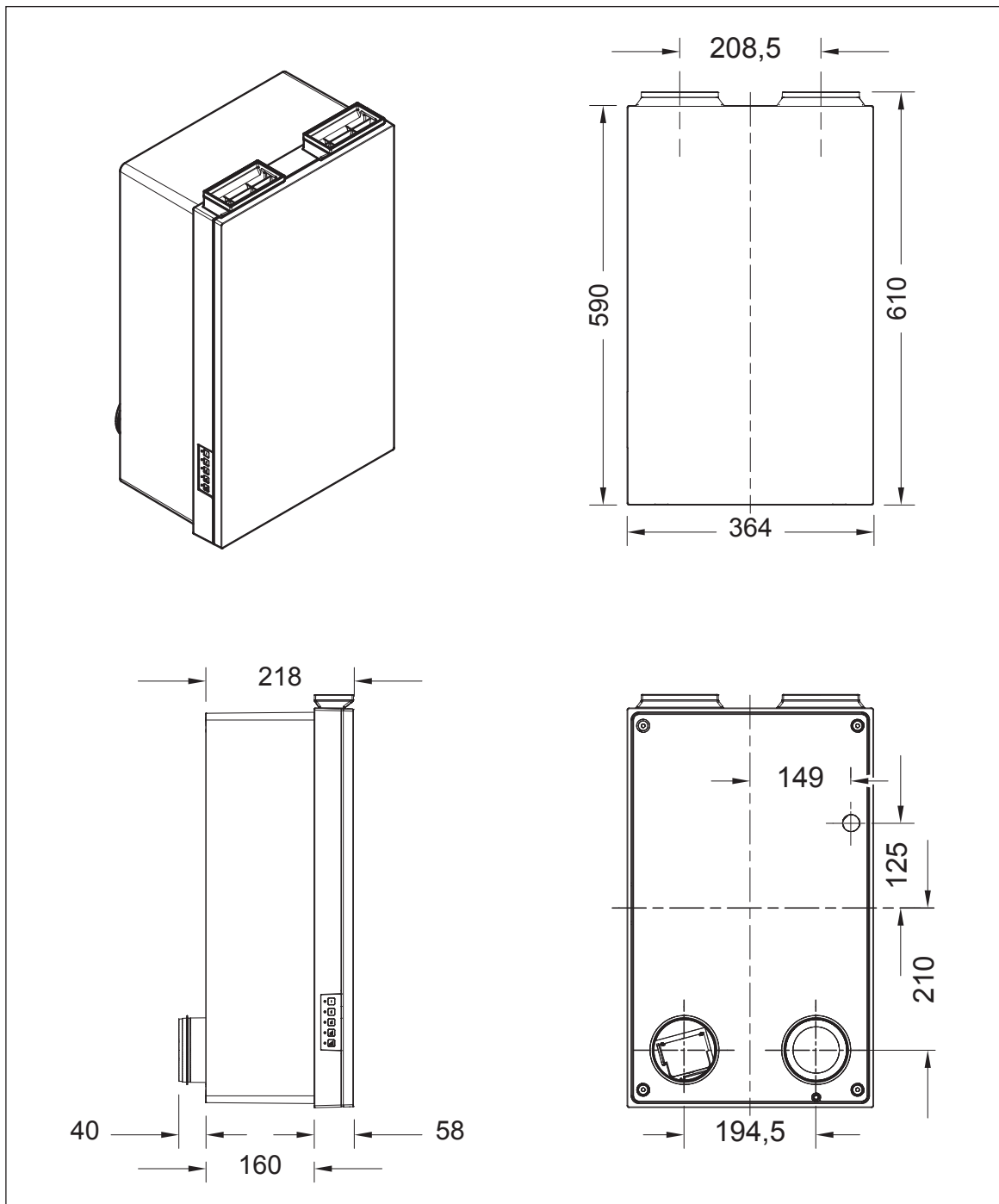


Fig. 6: M-WRG-II ventilation unit with duct adapters, dimensions in millimetres

5 Structure and function

5.1 Overview of the modules

5.1.1 Ventilation unit – with cover attached

Item in Fig. 7	Designation
1	Housing
2	Unit cover
3	Membrane touch pad with 5 buttons for selecting the ventilation levels / programs and 5 status indicator LEDs

5.1.2 Ventilation unit – with cover removed

Item in Fig. 8	Designation
1	Supply air grille
2	Outdoor air filter with filter cover
3	Mains switch “On / Off”
4	Extract air filter with filter ring
5	Extract air grille



Fig. 7: Ventilation unit – with cover attached

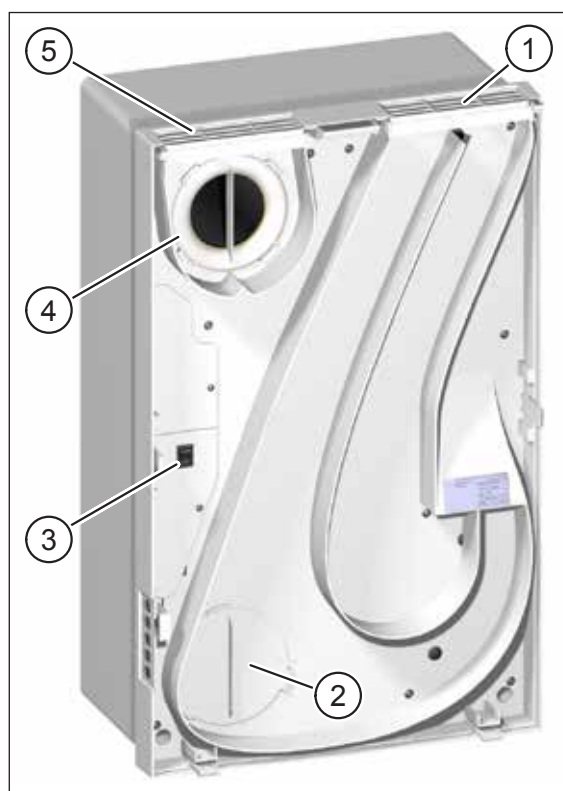


Fig. 8: Ventilation unit – with cover removed

5.2 Description of the functions

5.2.1 How the M-WRG-II ventilation unit works

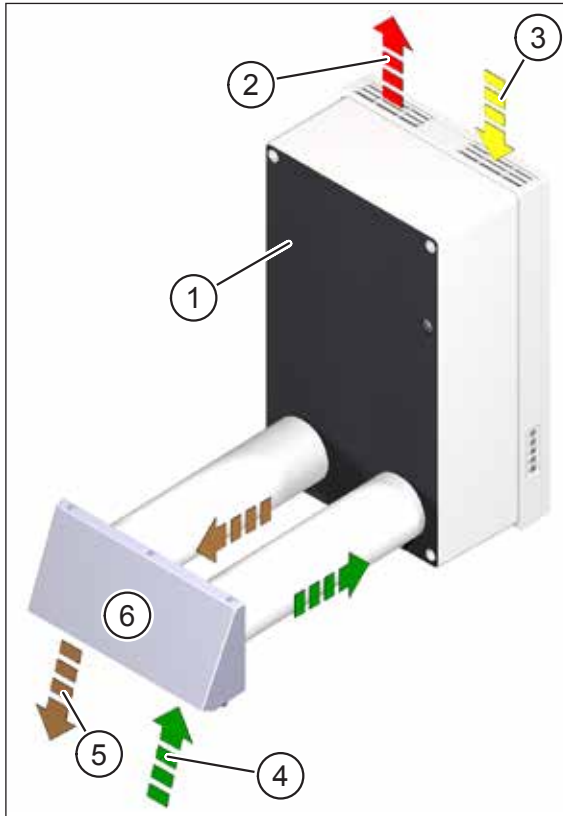


Fig. 9: How the ventilation unit works

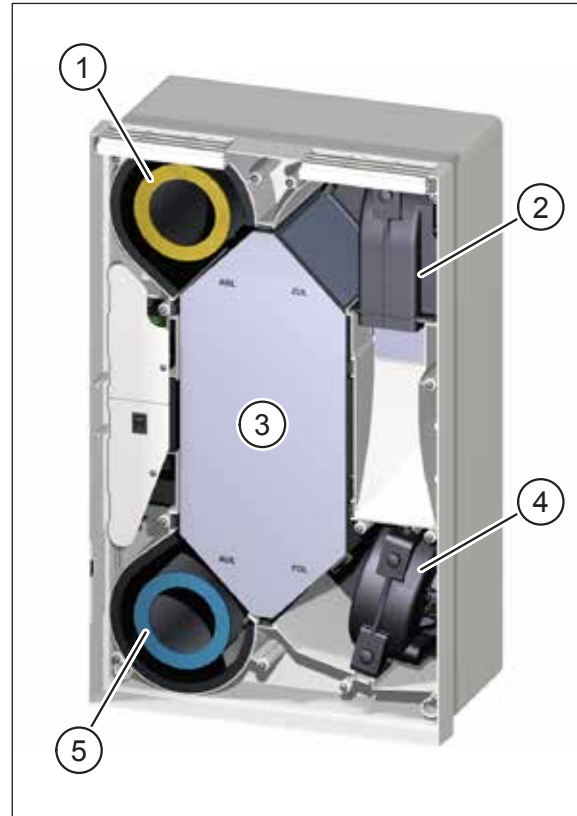


Fig. 10: Components for air exchange

Item in Fig. 9	Designation
1	M-WRG-II ventilation unit
2	Supply air
3	Extract air
4	Outdoor air
5	Exhaust air
6	Outer wall terminal

Item in Fig. 10	Designation
1	Extract air filter
2	Supply air fan
3	Cross-counterflow plate heat exchanger
4	Exhaust air fan
5	Outdoor air filter

The ventilation unit operates continuously, transports outdoor air and extract air at the same time and guides and filters the outdoor air and extract air separately. The self-regulating fans (which ensure a constant volumetric flow rate) are arranged on the supply air and exhaust air sides. The supply air fan (item 2 in Fig. 10) transports outdoor air (item 4 in Fig. 9) through the outdoor air filter (item 5 in Fig. 10) and cross-counterflow plate heat exchanger (item 3 in Fig. 10) into the interior as supply air (item 2 in Fig. 9). The exhaust air fan (item 4 in Fig. 10) extracts the extract air (item 3 in Fig. 9) from the interior. In the extract air filter (item 1 in Fig. 10), the extract air is cleaned, guided through

the cross-counterflow plate heat exchanger and carried outside as exhaust air (item 5 in Fig. 9). The supply air and exhaust air fans each transport the same volume of air. The pressure in the interior remains practically constant.

5.2.2 How the cross-counterflow plate heat exchanger works

The channels on the cross-counterflow plate heat exchanger (item 1 in Fig. 11) are designed so that the air flows move in opposite directions. This guarantees the greatest possible exchange of thermal energy.

In the winter, the highly thermally conductive plates transfer the heat from the extract air flow (item 2 in Fig. 11) to the supply air flow (item 3 in Fig. 11). The cooled extract air is carried to the outside as exhaust air (item 4 in Fig. 11).

In the summer, this is reversed; the warmer, incoming air is cooled.

Item	Designation
1	Cross-counterflow plate heat exchanger
2	Extract air
3	Supply air
4	Exhaust air
5	Outdoor air

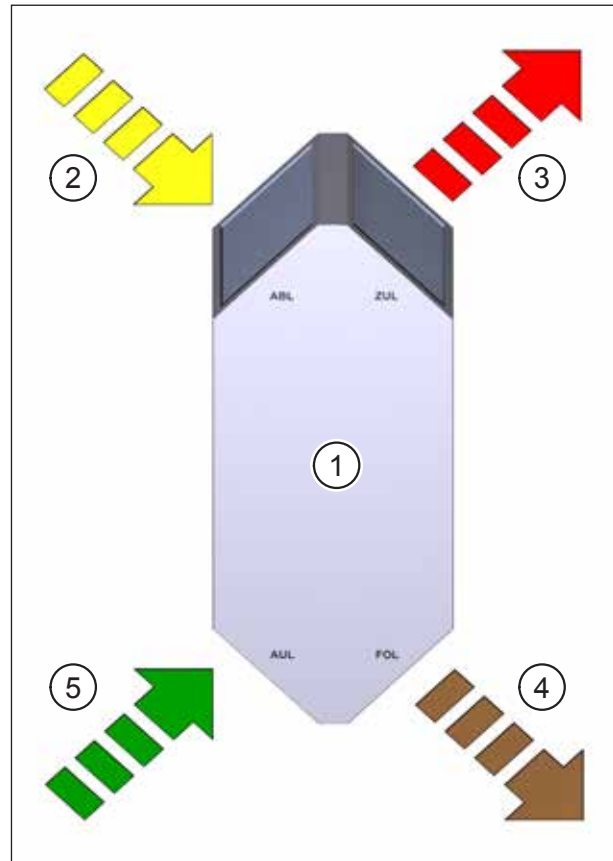


Fig. 11: How the cross-counterflow plate heat exchanger works

6 Rules for correct usage

6.1 General

- ▶ Always operate the ventilation unit with the unit cover attached.
- ▶ Run the ventilation unit in continuous mode or demand-controlled with humidity and/or CO₂ control (only possible if the unit contains the appropriate sensors). While continuous mode constantly ensures a good and healthy atmosphere in the room, demand-controlled ventilation uses sensors to provide particularly energy-efficient ventilation that is tailored precisely to requirements.
- ▶ Adapt the air flow through the ventilation unit to take account of the air load created by cooking, washing, ironing, visitors, showers, sauna, etc.
- ▶ Set the ventilation unit so that the relative humidity ranges between 40 % and 65 %. People feel most comfortable within this range.

6.2 Seasonal operation

6.2.1 Operation at cold times of year

- ▶ During cold times of year, run the ventilation unit either in continuous mode or demand-controlled via the humidity or CO₂ sensors (only if the unit has the appropriate sensors).
 - Energy-saving motors and an innovative controller ensure a very low power consumption, even in continuous mode.
 - Continuous removal of moisture from the interior is only guaranteed while the unit is in operation.
- ▶ Run the intensive ventilation program in the following cases:
 - regularly if there is high atmospheric humidity in the interior
 - if you need to switch off the ventilation unit.This will remove any condensate that is present in the ventilation unit.
- ▶ Maintain the temperature in bedrooms at 16 °C to 18 °C or more. This temperature is also more healthy for the people in the bedrooms. Do not run the ventilation unit at room temperatures below 15 °C, and particularly not at low external temperatures below 0 °C. Otherwise the ventilation unit will constantly activate the frost protection function or switch off altogether. The higher the interior temperature, the bigger the buffer for operating the ventilation unit and for heat recovery.

NOTICE

Supply air or exhaust air operation alone is not recommended. Firstly because the unit is often in the unbalanced frost protection mode and secondly because the incoming flow of cold outdoor air causes the rooms to cool down.

6.2.2 Summer mode

On hot summer days, the heat recovery effect can be utilized the opposite way around during the day by correcting the temperature of the supplied hot outdoor air with the removed cooler extract air.

At night, when the outdoor air temperature is lower than the interior temperature, the ventilation unit can be set to allow supply air or extract air operation alone, with the effect that there is no heat recovery.

In addition, a cross-ventilation effect can be created by setting one ventilation unit to supply air operation and the other to extract air operation.

In supply air mode, the exhaust air fan switches off, i.e. only supply air is transported. The necessary extract air flow rate must be guaranteed by arrangements in the building (e.g. tilted window) or a second unit.

The supply air or extract air mode program can be implemented using the optional controller options: InControl pushbutton sensor, Modbus, RS-485 bus or the M-WRG-FBH wireless remote control.

NOTICE

- ▶ In the summer months, ventilate cellars and similar rooms only during the night. Otherwise condensation from the atmospheric humidity can cause damage due to damp on the cold walls.

6.3 Air filters

- Never run the ventilation unit without air filters.
- Always use genuine Meltem filters. These are precisely matched to your M-WRG-II ventilation units, ensure minimal pressure losses and will ensure a long service life from your ventilation units.
- DIN 1946-6 “Ventilation for residential buildings” recommends changing air filters every six months. The air filters for outdoor air and extract air should be replaced at least once a year on hygiene grounds, ideally before the cold weather starts.
- In high levels of air pollution (e.g. from road traffic or industry, rooms with high dust levels) change the filters **every six months**.
- Always replace air filters in pairs. The permeability of both air filters affects the efficiency and power consumption of the ventilation unit.
- Observe the filter change indicator (see chapter 12 on page 36) and replace the air filters as necessary.

NOTICE

An outdoor air filter from filter class ISO ePM1 $\geq 50\%$ (F7) is needed to fulfil the hygiene requirements defined in VDI 6022 and DIN 1946-6 (category H). Every M-WRG-II ventilation unit is equipped with such an air filter as standard.

7 Controls and indicators

The ventilation units from the M-WRG-II P-T and M-WRG-II E-T series can be operated both via the membrane touch pad on the unit and via the InControl pushbutton sensor or three-step rotary switch.

NOTICE

The optional wireless remote control M-WRG-FBH, part no. 5478-10, is used to control, program and extend the range of functions of all M-WRG-II units. The functionality of the individual buttons on the membrane touch pad, the InControl pushbutton sensor or three-step rotary switch can thus be adapted to suit the customer's requirements. You will find more details in the user guide "Wireless remote control M-WRG-FBH" (see section 1.12 on page 11).

7.1 Controls and indicators on the ventilation unit

On the left of the ventilation unit there is a membrane touch pad with 5 buttons (items 1 to 5 in Fig. 12). These buttons are used to set the ventilation levels / programs. The 5 LEDs (LEDs 1 to 5 in Fig. 12) indicate the status of the ventilation unit. They also display any fault messages or whether an air filter needs to be changed.

The mains switch (item 1 in Fig. 13) is located behind the unit cover. The unit cover must be removed in order to access it.

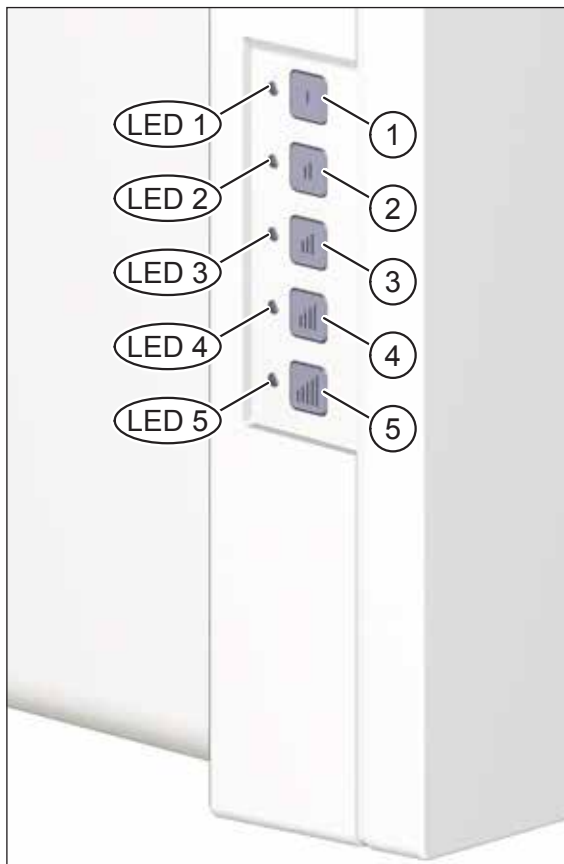


Fig. 12: Membrane touch pad and LEDs on the left of the unit



Fig. 13: Mains switch, visible when unit cover is removed

7.1.1 Default assignment of the membrane touch pad

This section illustrates the default assignment of the individual buttons on the membrane touch pad for the different types of unit. How the individual ventilation programs work is described in section 10 on page 31.

7.1.1.1 M-WRG-II P-T / M-WRG-II E-T

Key in Fig. 12	Ventilation program	Air flow
1	Reduced ventilation (people absent)	10 m ³ /h
2	Normal ventilation (people present)	30 m ³ /h
3	Increased ventilation	50 m ³ /h
4		70 m ³ /h
5	Intensive ventilation (15 min)	100 m ³ /h

7.1.1.2 M-WRG-II P-T-F / M-WRG-II E-T-F

Key in Fig. 12	Ventilation program	Air flow
1	Reduced ventilation (people absent)	10 m ³ /h
2	Normal ventilation (people present)	30 m ³ /h
3	Increased ventilation	50 m ³ /h
4	Humidity control	10 - 60 m ³ /h, infinitely-variable
5	Intensive ventilation (15 min)	100 m ³ /h

7.1.1.3 M-WRG-II P-T-FC / M-WRG-II E-T-FC

Key in Fig. 12	Ventilation program	Air flow
1	Reduced ventilation (people absent)	10 m ³ /h
2	Normal ventilation (people present)	30 m ³ /h
3	Increased ventilation	50 m ³ /h
4	Automatic mode (humidity and CO ₂ control)	10 - 60 m ³ /h, infinitely-variable
5	Intensive ventilation (15 min)	100 m ³ /h

7.1.2 LED indicators on the ventilation unit

7.1.2.1 Selected ventilation program indicator

When a ventilation program is activated on the membrane touch pad, the corresponding LED lights up (see Fig. 12 on page 23) for 10 seconds and then goes out again.

7.1.2.2 Status indicators

An LED that lights up continuously or flashes indicates one of the following ventilation unit states:

LED in Fig. 12	Status
LED 1 lights up continuously	Air filter change required
LED 2 lights up continuously	Unit fault (e.g. faulty sensor or motor)
LED 3 flashes for 10 s	The absolute atmospheric humidity of the supply air is greater than the absolute atmospheric humidity of the extract air
LED 4 flashes for 10 s	The VOC value of the supply air is greater than 1500 ppm for 10 minutes (factory setting, only for units with the M-WRG-II O/VOC-AUL option)
LED 5 flashes for 10 s	Ventilation unit in frost protection mode

7.2 Controls and indicators on the InControl pushbutton sensor

The InControl pushbutton sensor allows you to select one of six different ventilation programs. The available ventilation programs depend on the type of ventilation unit. Every button has an LED that indicates the currently selected ventilation program.

7.2.1 InControl pushbutton sensor for type M-WRG-II P-T and M-WRG-II E-T ventilation units



Fig. 14: InControl pushbutton sensor for M-WRG-II P-T and M-WRG-II E-T

7.2.2 InControl pushbutton sensor for type M-WRG-II P-T-F and M-WRG-II E-T-F ventilation units



Fig. 15: InControl pushbutton sensor for M-WRG-II P-T-F and M-WRG-II E-T-F

7.2.3 InControl pushbutton sensor for type M-WRG-II P-T-FC and M-WRG-II E-T-FC ventilation units

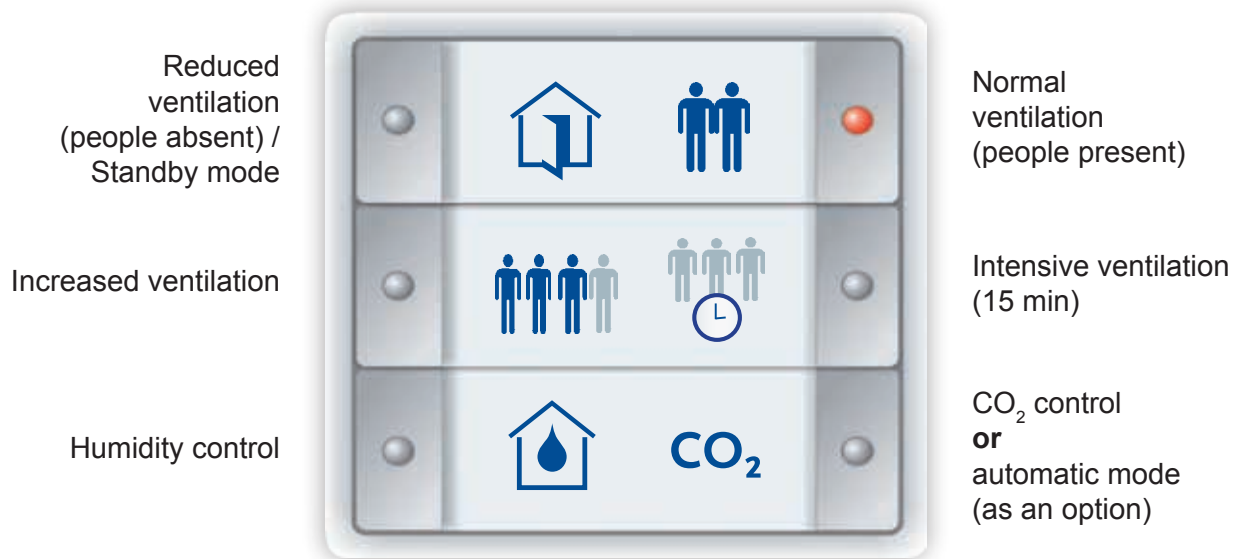


Fig. 16: InControl pushbutton sensor for M-WRG-II P-T-FC and M-WRG-II E-T-FC

7.2.4 Status indicators on the InControl pushbutton sensor

A flashing LED indicates one of the following ventilation unit states:

Ventilation program LED	Status
“Reduced ventilation (people absent)” LED flashes (see Fig. 14, Fig. 15 and Fig. 16)	Unit fault (e.g. faulty sensor or motor)
“Normal ventilation (people present)” LED flashes (see Fig. 14, Fig. 15 and Fig. 16)	Air filter change required
“Humidity control” LED flashes (see Fig. 15 and Fig. 16)	The absolute atmospheric humidity of the supply air is greater than the absolute atmospheric humidity of the extract air
“CO ₂ control” or “Automatic mode” LED flashes (see Fig. 16)	The VOC value of the supply air is greater than 1500 ppm for 10 minutes (factory setting, only for units with the M-WRG-II O/VOC-AUL option)

7.3 Three-step rotary switch with zero position (provided by customer)

The following ventilation programs can be selected on the three-step rotary switch with zero position:

Switch position	Ventilation program	Air flow
0	Standby mode	0 m ³ /h
1	Reduced ventilation (people absent)	10 m ³ /h
2	Normal ventilation (people present)	30 m ³ /h
3	M-WRG-II P-T / M-WRG-II E-T: Increased ventilation	50 m ³ /h
	M-WRG-II P-T-F / M-WRG-II E-T-F: Humidity control	10 - 60 m ³ /h, infinitely-variable
	M-WRG-II P-T-FC / M-WRG-II E-T-FC: Automatic mode (humidity and CO ₂ control)	10 - 60 m ³ /h, infinitely-variable

8 Starting up

8.1 Checking the ventilation unit before switching on for the first time

- ▶ Check the ventilation unit for damage.
- ▶ Check that the air grilles for extract air and supply air (item 1 and 5 in Fig. 8 on page 18) are unobstructed.

8.2 Switching on the ventilation unit

- ▶ Remove the cover from the ventilation unit (see section 12.3.1 on page 37).
- ▶ Switch the ventilation unit on at the mains switch (item 1 in Fig. 17).

After roughly 1 second, the electromechanically-operated vent flaps on the supply air and exhaust air sides open.

- ▶ Reattach the cover to the ventilation unit (see section 12.3.6 on page 39).



Fig. 17: Mains switch, visible when unit cover is removed

9 Operating the ventilation unit

9.1 Selecting the ventilation level/program

There are various ways to select a ventilation level or ventilation program:

- using the buttons of the membrane touch pad (items 1 to 5 in Fig. 12 on page 23) on the ventilation unit (see section 7.1.1 on page 24)
- using the InControl pushbutton sensor (see section 7.2 on page 26)

NOTICE

- If there are multiple ventilation units of the same type connected to an InControl pushbutton sensor, the same ventilation program is activated for all the ventilation units.
- If there are multiple ventilation units of the same type with humidity and/or CO₂ control/automatic mode connected to an InControl pushbutton sensor, each ventilation unit regulates the air exchange on the basis of its own measured values.

- using the three-step rotary switch with zero position (see section 7.3 on page 28)
- The ventilation unit always carries out the most recently made selection.

9.2 Setting the ventilation unit to Standby mode

You can set the ventilation unit to Standby mode. This triggers the following actions:

- The current ventilation mode is ended.
- The ventilation unit continues to be supplied with power.
- The air flaps close.

Simply activate the desired ventilation program again to leave Standby mode.

NOTICE

It is not a good idea to leave the ventilation unit in Standby mode for long periods (see section “6 Rules for correct usage” on page 21).

9.2.1 Activating Standby mode with the InControl pushbutton sensor

- ▶ Hold down the button for the “Reduced ventilation (people absent)” program on the InControl pushbutton sensor (see section 7.2 on page 26) for at least 3 seconds.

NOTICE

Standby mode is disabled at the factory in association with the “Mains switch without function” option, type: M-WRG-O/NOF. In this case, Standby mode cannot be activated using the InControl pushbutton sensor.

9.2.2 Activating Standby mode with the three-step rotary switch

- ▶ Turn the three-step rotary switch to position 0.

9.3 Optional pushbutton for intensive ventilation

In addition to the three-step rotary switch, an optional pushbutton may be installed. This allows you to start 15 minutes of intensive ventilation at maximum power level (100 m³/h). The ventilation unit then resumes operation at the previously set ventilation level.

You can cancel intensive ventilation while it is running by selecting a ventilation level on the three-step rotary switch.

9.4 Frost protection function

The ventilation unit is equipped with a frost protection function. In low outdoor temperatures, the ventilation unit automatically switches to frost protection mode.

- ▶ Do not switch the ventilation unit off in the winter. Note section “6 Rules for correct usage” on page 21.

How it works:

The temperature on the exhaust air side is constantly monitored to prevent the heat exchanger freezing. If the exhaust air temperature drops below -1.5 °C (-1.0 °C with M-WRG-II E), the motor controller gradually changes the supply air and/or extract air volume flow according to the set ventilation level so that the proportion of extract air is increased. This causes the temperature to rise on the exhaust air side.

When an exhaust air temperature >5.5 °C (>7.0 °C with M-WRG-II E) is maintained for a period of 3 minutes, the unit gradually switches back to the previous operating state.

If a value of >5.5 °C (>7.0 °C with M-WRG-II E) is not reached on the exhaust air side, despite increasing the proportion of extract air within the unit's control range (e.g. because the room has cooled down), both the supply air fan and the exhaust air fan are switched off.

After one hour, the unit resumes operation for 6 minutes and checks the exhaust air temperature. If the measured exhaust air temperature exceeds a value of 5.5 °C (7.0 °C with M-WRG-II E), ventilation mode starts with the previously set operating state.

If the measured exhaust air temperature is below a value of 5.5 °C (7.0 °C with M-WRG-II E), the sequence described above is repeated.

Frost protection mode is ended when the exhaust air temperature is constantly above 5.5 °C (7.0 °C with M-WRG-II E) and the two fans are balanced.

In addition to monitoring of the exhaust air temperature, the speed of the exhaust air fan is monitored continuously. When the exhaust air temperature has dropped to <2 °C, if the speed increases significantly within a period of 2 hours, frost protection mode is activated by the motor controller.

Any condensate is removed via the exhaust air pipe and condensate connection and with M-WRG-II E units (with enthalpy) there is practically no condensation at all (if used for the intended use, see section 2.5 on page 14, and in accordance with the rules for correct usage, see section 6 on page 21, and if not exposed to excessive humidity).

10 Ventilation levels/programs

There are different ventilation programs/levels available for selection, depending on the type of ventilation unit (see section 7 from page 23).

10.1 “Reduced ventilation (people absent)”

The ventilation unit runs at the lowest ventilation level (10 m³/h). This operating mode can be selected when the occupier is absent (e.g. on holiday) to ensure a minimum level of air renewal. This includes ventilation for moisture protection.

10.2 “Normal ventilation (people present)”

The ventilation unit runs at the middle ventilation level (30 m³/h). This is the normal mode used to achieve the ventilation needed to meet hygiene and health requirements when the users are present.

10.3 “Increased ventilation”

The ventilation unit runs at a higher ventilation level (50 or 70 m³/h) in order to dissipate load peaks, e.g. when there are multiple people present or increased odour nuisance.

10.4 “Intensive ventilation (temporary 15 min)”

The ventilation unit runs at maximum ventilation level (100 m³/h). After roughly 15 minutes or when another button is pressed, the intensive ventilation is ended and the previously set ventilation program is resumed.

10.5 “Supply air operation (summer mode)”

The ventilation unit only transports supply air; the extract air is switched off. This operating mode allows the cooler outdoor air to be routed into the building on summer nights, for example (supply air 50 m³/h, extract air 0 m³/h).

NOTICE

Avoid using this ventilation program at cold times of year. Otherwise the ventilation unit will constantly activate the frost protection function or switch off altogether.

10.6 “Extract air operation”

The ventilation unit only transports extract air; the supply air is switched off. This operating mode can be selected to route used air to the outside (extract air 50 m³/h, supply air 0 m³/h).

Cross-ventilation: If there are two ventilation units present, cross-ventilation can be achieved on one level by setting one ventilation unit to supply air operation and the other to exhaust air operation.

NOTICE

Avoid using cross-ventilation at cold times of year, otherwise the ventilation unit that is set to supply air operation will constantly activate the frost protection function or switch off altogether.

10.7 “Humidity control”

The ventilation unit runs constantly at the lowest ventilation level (10 m³/h*). If the relative room air humidity exceeds 60 % RH, the ventilation level is increased continuously up to max. 60 m³/h until the humidity in the room drops back below 60% RH.

NOTICE

To ensure dehumidification, the ventilation unit compares the calculated absolute humidity of the supply air and extract air. LED 3 (see Fig. 12 on page 23) flashes when the humidity of the outdoor air is greater than that of the extract air, which means that dehumidification is not possible.

10.8 “CO₂ control”

The ventilation unit runs constantly at the lowest ventilation level (10 m³/h*). A CO₂ sensor monitors the air quality in the room. If the limit of 800 ppm is exceeded, the ventilation unit calculates the optimum air renewal and sets the required ventilation level in the range from 10 - 60 m³/h.

If equipped with the M-WRG-II O/VOC-AUL option, ventilation units with a CO₂ sensor can also detect volatile organic compounds in the outdoor air using a VOC sensor (see section 11.4 on page 34).

NOTICE

- When it is started up for the first time, the ventilation unit must remain switched on for at least 15 hours without interruption so that the VOC sensor can be calibrated.
 - ▶ Make sure that the air is not severely contaminated during the calibration phase by solvents, for example.
- When you switch on again, it will take roughly 5 minutes for the sensor to recalibrate.

* The ventilation level can be reduced from 10 to 0 m³/h at the factory or using the optional wireless remote control M-WRG-FBH. The ventilation unit switches to sniffing mode and interrupts its operation for the set pause time (set to 60 minutes at the factory). The relative humidity or CO₂ concentration is then checked for a 5-minute period. If the corresponding limit is exceeded, the ventilation unit switches back to ventilation mode.

10.9 “Automatic mode”

The relative room air humidity (see section 10.8) is monitored in addition to the CO₂ concentration (see section 10.7). The CO₂ sensor and the humidity sensor both send feedback to the ventilation unit, indicating the ventilation level at which it should work. The ventilation unit automatically assumes the higher of the two suggested ventilation levels and thus ensures the priority.

11 Options for ventilation mode

11.1 External control input

11.1.1 Description

With the external control input supplied as standard, the M-WRG-II unit has an additional input terminal for 230 V AC (working voltage range: 85 V AC to 265 V AC / 50-60 Hz) to which a switch, time switch, motion detector or similar may be connected.

The external control input is equipped with a time-delay relay that can be used to set a switch-on delay and a run-on time:

- Switch-on delay:
the M-WRG-II unit does not start until the set time has elapsed.
- Run-on time:
the M-WRG-II unit does not switch to the previously active ventilation program until the set time has elapsed.

Windowless rooms can be ventilated in accordance with DIN 18017-3 in combination with the M-WRG-II O/NOF option, part no. 721004.

11.1.2 Factory defaults and possible adjustment ranges

Parameter	Factory defaults	Possible adjustment ranges
Air flow	60 m ³ /h	10 to 100 m ³ /h
Switch-on delay	1 min	0 to 240 min
Run-on time	15 min	0 to 240 min

NOTICE

The above parameters can be changed either at the factory or using the optional wireless remote control M-WRG-FBH.

11.1.3 M-WRG-II O/EST-1, part no. 721005, and M-WRG-II O/EST-2, part no. 721006

The following options may be selected in addition to the external control input which is supplied as standard:

- M-WRG-II O/EST-1: without switch-on delay, needs to be fitted at the factory
- M-WRG-II O/EST-2: without run-on time, needs to be fitted at the factory

11.2 M-WRG-II O/PARM, part no. 721000

This option is used to set special air output parameters for all M-WRG-II units. It needs to be fitted at the factory.

11.3 M-WRG-II O/MVS, part no. 721001

This option guarantees a minimum ventilation level to DIN 18017-3. Between 08:00 and 20:00, the unit ventilates at 40 m³/h, dropping to 20 m³/h between 20:00 and 08:00. The function is activated at the factory, cannot be switched off by the user and has priority over all other settings. It includes the mains switch without function so that the user cannot easily switch the unit off (it can be switched off via the building's fuse box, for example). This option changes the button assignment on the ventilation unit control panels: Button 1, 2, 3, (4): 20, 40, 60, (80) m³/h.

The option cannot be used in conjunction with M-WRG-II O/VOC-AUL.

11.4 M-WRG-II O/VOC-AUL, part no. 721002

The ventilation unit is equipped with a VOC sensor for monitoring the outdoor air quality. In conjunction with the "Automatic mode" ventilation program, the unit temporarily reduces the supply air if the threshold for contamination with volatile organic compounds (from biological decay and decomposition processes, motor traffic exhaust fumes or volatile by-products from industrial and commercial operations) is exceeded (1,500 ppm). This option is only available for units with a CO₂ sensor (M-WRG-II ...-FC). It needs to be fitted at the factory. The option cannot be used in conjunction with M-WRG-II O/MVS.

11.5 M-WRG-II O/EGG-AUS, part no. 721003

With this option, the unit is equipped with a "Device OFF" input and a potential-free fault indicator output.

A smoke detector or a window contact may be connected to the input, for example, allowing the unit to be switched off if smoke is detected or a window is opened.

The fault indicator output allows the ventilation unit's operating state to be signalled to a central point, for example. This option needs to be fitted at the factory.

11.6 M-WRG-II O/NOF, part no. 721004

The mains switch on the ventilation unit is deactivated with this option. The user can only change the unit's ventilation levels / programs. However it must be ensured that the ventilation unit(s) can be switched off by other means (e.g. via the fuse box in the apartment or house). This option must be fitted at the factory.

11.7 M-WRG-II O/LFS, part no. 721007

11.7.1 Description

The “ventilation for moisture protection” option is used to set fixed, minimum ventilation levels for day and night. The function is activated at the factory and cannot be switched off by the user (who can only set higher ventilation levels). A humidity program which increases the air flow as required runs continuously in background mode. This option includes the mains switch without function so that the user cannot easily switch the unit off (it can be switched off via the building’s fuse box, for example). This option changes the button assignment on the ventilation unit control panels:

Button 1, 2, 3, (4): 20, 40, 60, (80) m³/h.

It may be combined with the external wireless sensor for humidity or CO₂.

NOTICE

- This option can only be selected in conjunction with M-WRG-II units with humidity and/or CO₂ control (excluding types -S 485, -TF, -TFC).
- It needs to be fitted at the factory.

11.7.2 Factory defaults

Time	Air flow
08:00 - 20:00	20 m ³ /h
20:00 - 08:00	20 m ³ /h

12 Filter maintenance

The ventilation unit has a runtime-controlled filter monitoring function with visual display. It monitors the time since the last air filter change. If the last air filter change was more than one year ago, the filter change display is activated and a pending air filter change is signalled by LED 1, which lights up constantly (see Fig. 12 on page 23).

No tools are needed to change the air filters.

NOTICE

► Follow the instructions for changing the air filters in section 6.3 on page 22.

12.1 Choice of filter

The following air filters may be used or are available for selection for the M-WRG-II ventilation units:

Part no.	Type	Filter type	Filter class	Application
750010	M-WRG-II FA	Outdoor air filter	ISO ePM1 60% (F7)	Effectively filters out respirable particulates such as pollen, soot and bacteria from dust class PM1
750020	M-WRG-II FK	Activated charcoal filter (optional for outdoor air)	ISO ePM2,5 55% (F7)	Effectively retains respirable particulates such as pollen, soot and bacteria from dust class PM2.5, and the activated charcoal layer absorbs odours and harmful gases such as propellants, nitrogen oxides, ozone and solvents
750000	M-WRG-II FS	Extract air filter	ISO Coarse 60% (G4)	Effectively retains coarse particulates such as household dust >PM10

Table 3: Choice of filter

12.2 Ordering filters

Please contact your local or regional dealer for information on ordering filters. You will find the contact details on our website at www.meltem.com (or using the QR code on this page).



Go to
www.meltem.com

12.3 Changing the air filters

12.3.1 Removing the cover from the ventilation unit

- ▶ Using both thumbs, press the two latches (item 1 in Fig. 18) on the bottom of the ventilation unit. The unit cover will come away.
- ▶ At the same time, push your index fingers into the gap between the unit cover and housing, and lift the unit cover up and away from the housing.
- ▶ Switch the ventilation unit off at the mains switch (see Fig. 13 on page 23). On ventilation units with the M-WRG-II O/NOF option, power to the unit must be switched off using the building's miniature circuit breaker.

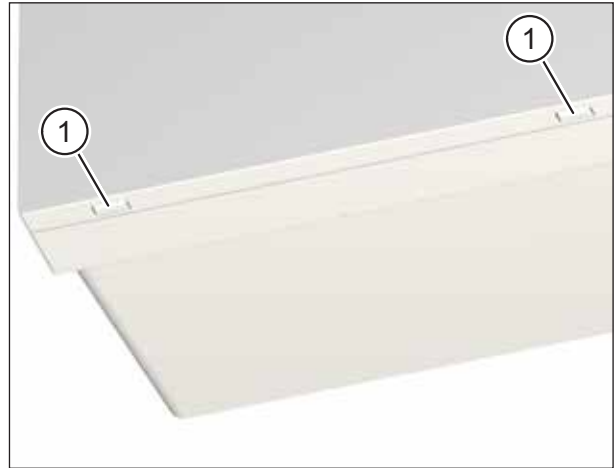


Fig. 18: Removing the cover from the ventilation unit

12.3.2 Removing the extract air filter

- ▶ Turn the filter ring (item 1 in Fig. 19) using the hand grip (item 2 in Fig. 19) anti-clockwise until the filter ring is released from the retainers.
- ▶ Pull the filter ring together with the extract air filter (item 3 in Fig. 19) out of the ventilation unit.
- ▶ Detach the extract air filter from the filter ring.
- ▶ Clean the filter ring with a damp cloth if it is dirty (see section 13).

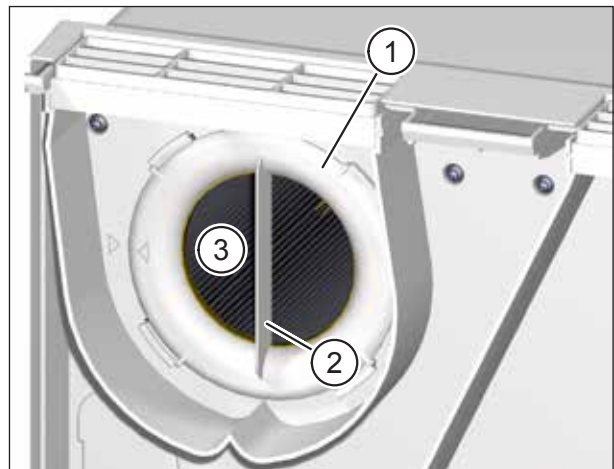


Fig. 19: Removing the extract air filter

12.3.3 Removing the outdoor air filter

- ▶ Turn the filter cover (item 1 in Fig. 20) using the hand grip (item 2 in Fig. 20) anti-clockwise until the filter cover is released from the retainers.
- ▶ Pull the filter cover together with the outdoor air filter out of the ventilation unit.
- ▶ Detach the outdoor air filter from the filter cover.
- ▶ Clean the filter cover with a damp cloth if it is dirty (see section 13).

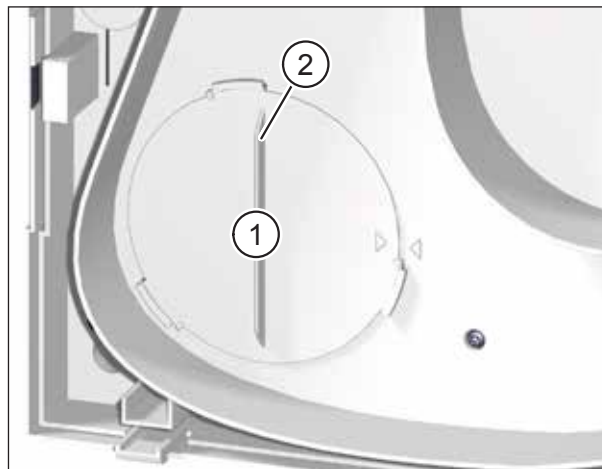


Fig. 20: Removing the outdoor air filter

12.3.4 Inserting the new extract air filter

- ▶ Carefully guide the new extract air filter (item 1 in Fig. 21) into the ventilation unit.
- ▶ Make sure that the air filter slides into the 3 retaining tabs (item 2 in Fig. 21) on the back wall of the ventilation unit.
- ▶ Place the filter ring (item 3 in Fig. 21) on the extract air filter. Make sure that the filter ring lies flat on the intermediate plate (item 4 in Fig. 21).
- ▶ Turn the filter ring clockwise until the arrow on the filter ring (item 5 in Fig. 21) lines up with the arrow for the locking position (item 6 in Fig. 21). Make sure that the 4 tabs (item 7 in Fig. 21) on the filter ring engage in the retainers (item 8 in Fig. 21) on the intermediate plate.
- ▶ Check the position of the filter ring. The hand grip must be vertical and the arrow on the filter ring must line up with the arrow for the locking position (see Fig. 19 on page 37).

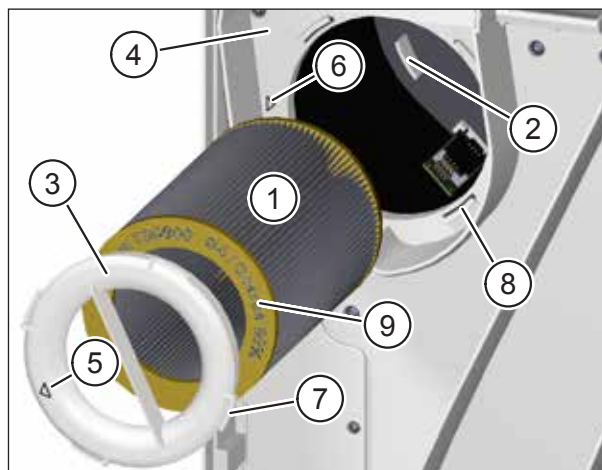


Fig. 21: Inserting the new extract air filter

NOTICE

- The ventilation unit will not work as well if the filter ring is not inserted correctly.
- Only M-WRG-II FS, part no. 750000, may be used as the extract air filter. The part no. and air filter class are imprinted on the yellow end plate of the air filter (item 9 in Fig. 21).

12.3.5 Inserting the new outdoor air filter

- ▶ Carefully guide the new outdoor air filter (item 1 in Fig. 22) into the ventilation unit.
- ▶ Make sure that the air filter slides into the 3 retaining tabs (item 2 in Fig. 22) on the back wall of the ventilation unit.
- ▶ Place the filter cover (item 3 in Fig. 22) on the outdoor air filter. Make sure that the filter cover lies flat on the intermediate plate (item 4 in Fig. 22).
- ▶ Turn the filter cover clockwise until the arrow on the filter cover (item 5 in Fig. 22) lines up with the arrow for the locking position (item 6 in Fig. 22). Make sure that the 3 tabs (item 7 in Fig. 22) on the filter cover engage in the retainers (item 8 in Fig. 22) on the intermediate plate.
- ▶ Check the position of the filter cover. The hand grip must be vertical and the arrow on the filter cover must line up with the arrow for the locking position (see Fig. 20 on page 38).

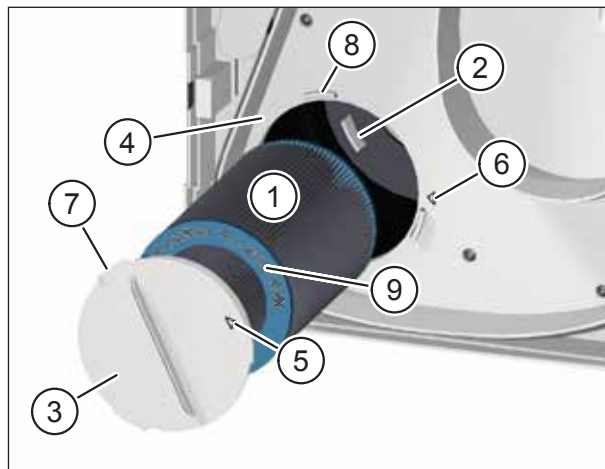


Fig. 22: Inserting the new outdoor air filter

NOTICE

- The ventilation unit will not work as well if the filter cover is not inserted correctly.
- Only M-WRG-II FA, part no. 750010, and M-WRG-II FK (activated charcoal filter), part no. 750020, may be used as the outdoor air filter. The part no. and air filter class are imprinted on the turquoise end plate of the air filter (item 9 in Fig. 22).

12.3.6 Attaching the unit cover to the ventilation unit

- ▶ Hold the cover (item 1 in Fig. 23) of the ventilation unit with both hands and tilt the top edge of the cover towards the ventilation unit.
- ▶ Insert the tabs (item 2 in Fig. 23) of the unit cover into the retainers (item 3 in Fig. 23) on the top of the ventilation unit.
- ▶ Lightly press the bottom edge of the cover against the ventilation unit until you hear the cover snap in place.

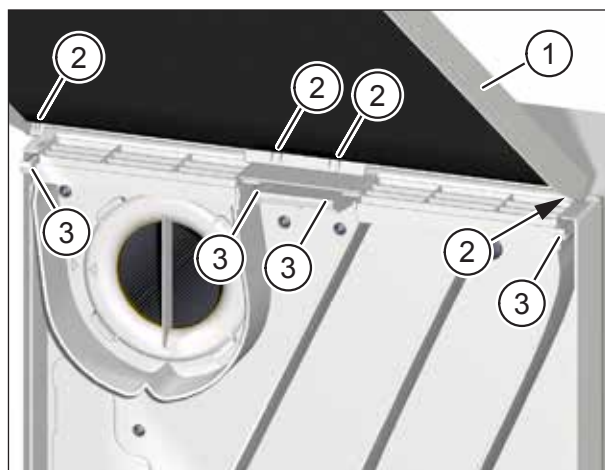


Fig. 23: Attaching the unit cover to the ventilation unit

12.3.7 Resetting the filter change indicator

After every air filter change, the filter change indicator must be reset in order to restart monitoring of the period since the last air filter change. The procedure is as follows:

- ▶ Press key 1 (item 1 in Fig. 12 on page 23) for roughly 5 seconds.
The ventilation unit will beep three times as confirmation. Monitoring of the period since the last air filter change is now restarted.

13 Cleaning

WARNING

- ▶ Switch off the power to the ventilation unit before cleaning.
- ▶ When cleaning, make sure that no moisture penetrates into the inside of the housing.
- ▶ Never use a high pressure cleaner, steam cleaner or steam jet.

The ventilation unit is made of high quality plastic and requires little care.

- ▶ Wipe the outer surfaces from time to time with a soft, damp cloth. Use mild soapy water. A commercially available plastic cleaner can be used for particularly stubborn dirt.

NOTICE

- ▶ Never use acidic, corrosive or abrasive cleaning agents.

Maintenance of the M-WRG-II series of units is described in separate maintenance instructions (in preparation).

14 Troubleshooting

Error	Cause	Remedy
Ventilation unit is not running	Ventilation unit is in safe mode after an EMC fault	Switch the ventilation unit off, wait 15 seconds, then switch on
	Installation error	Have the wiring checked by a qualified electrician
	Faulty switch, motor or controller	Check by a qualified electrician
LED 2 lights up continuously	Unit fault	Contact Meltem
The ventilation unit frequently activates the frost protection function	Filter change interval exceeded	Change air filters (see “12.3 Changing the air filters” on page 37)
Operating noise of the ventilation unit increases in volume	Air filter is very dirty	

Table 4: Troubleshooting

15 Installing the InControl pushbutton sensor

This section describes how to connect the InControl pushbutton sensor electrically to the ventilation unit.

WARNING

The activities described in this chapter must only be carried out by technicians with the following qualifications:

- Training in the installation and commissioning of electrical devices
- Training in electrical hazards and the local safety requirements
- Knowledge of the relevant standards and directives
- Knowledge and observance of this document and all the safety instructions (see chapter “2 Safety instructions” from page 12)

NOTICE

- The ventilation unit may be damaged if the control cable is connected incorrectly. This will also invalidate the warranty.
- Also follow the installation manual for the M-WRG-II ventilation units (see section 1.12 on page 11).
- The installation must be carried out in accordance with the generally acknowledged rules of technology.

15.1 Switching off power to the ventilation unit

DANGER

Potentially fatal voltages

- The electrical installation work must only be carried out by a qualified electrician.
- The VDE regulations or any special safety regulations applicable in your country apply to the electrical installation work.
- ▶ Before starting installation or maintenance work, disconnect the mains cable for connecting to the ventilation unit on all poles from the mains supply.
- ▶ Observe the five safety rules (DIN VDE 0105-100, EN 50110-1) for working on electrical systems:
 - Disconnect from mains (all-pole disconnection of a system from live parts)
 - Secure against reconnection
 - Check that the system is voltage-free
 - Earth and short-circuit
 - Cover or block off access to adjacent live parts

15.2 Removing the cover from the ventilation unit

- ▶ Using both thumbs, press the two latches (item 1 in Fig. 24) on the bottom of the ventilation unit. The unit cover will come away.
- ▶ At the same time, push your index fingers into the gap between the unit cover and housing, and lift the unit cover up and away from the housing.



Fig. 24: Removing the cover from the ventilation unit

15.3 Removing the electronics compartment cover plate

- ▶ Use the screwdriver to loosen the Torx screw (item 1 in Fig. 25) on the electronics compartment cover plate (item 2 in Fig. 25).
- ▶ Remove the electronics compartment cover plate to access the connection board (item 3 in Fig. 25).

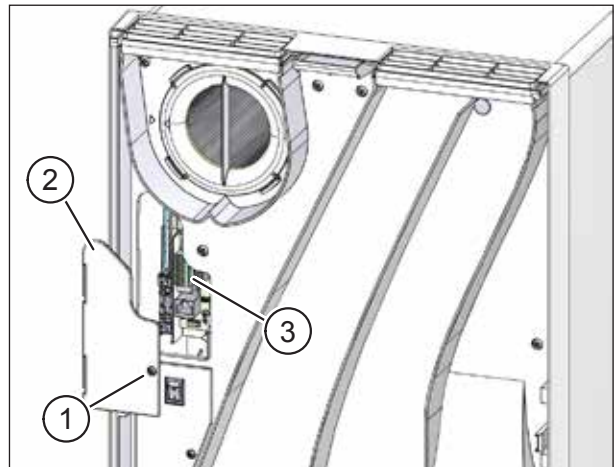


Fig. 25: Removing the electronics compartment cover plate

15.4 Overview of the modules

15.4.1 Connection board in the ventilation unit with terminal assignment

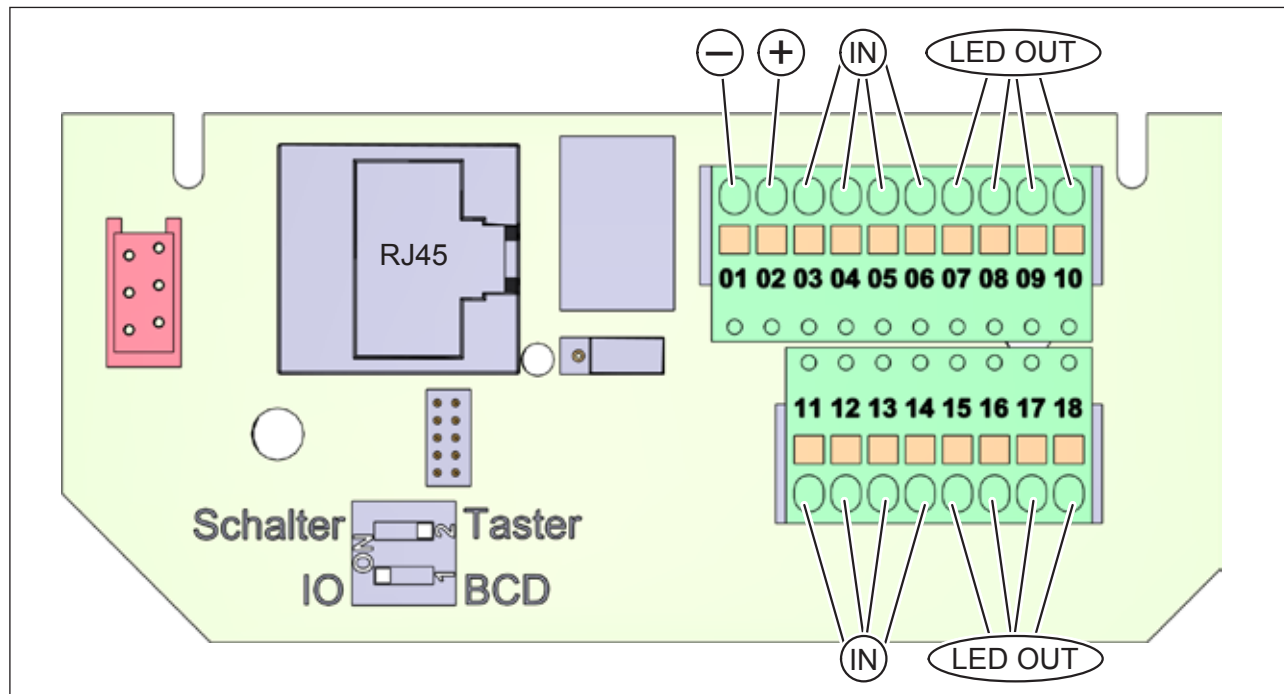


Fig. 26: Connection board in the ventilation unit with terminal assignment

NOTICE

The DIP switches and jumpers on the board are preset at the factory. Do not change the position of any DIP switches or jumpers.

15.4.2 InControl pushbutton sensor

15.4.2.1 Terminal assignment

Item in Fig. 27	Designation
1	Terminal block for pushbuttons
2	Terminal block for LEDs
3	Smiley on the side of the terminal block for LEDs

NOTICE

Use the smiley (item 3 in Fig. 27) as an orientation guide. It is only in this position that the connections on the terminal blocks agree with the connections identified in the connection diagram (Fig. 28).

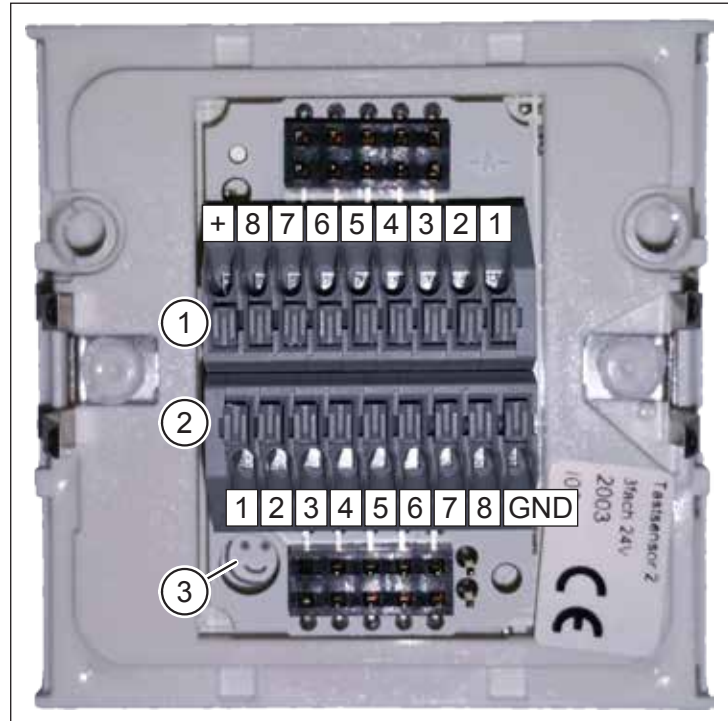


Fig. 27: InControl pushbutton sensor with terminal assignment

15.4.3 Connection diagram

Item in Fig. 28	Designation
1	Terminal block for pushbuttons
2	Terminal block for LEDs
3	Optional bridge for backlight

NOTICE

The InControl pushbutton sensor has a backlight that can be activated if required. Place a bridge (item 3 in Fig. 28) across terminals 7 and 8 of the terminal block for LEDs to supply 24 V DC to the backlight.

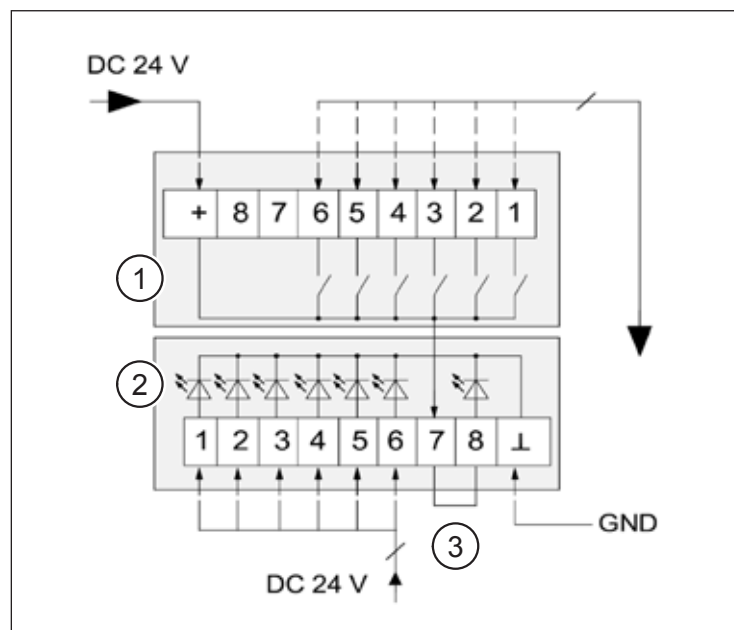


Fig. 28: InControl pushbutton sensor connection diagram

15.5 Connection of 1 ventilation unit

15.5.1 Connecting the InControl pushbutton sensor to M-WRG-II P-T / M-WRG-II E-T

- ▶ Use J-Y (St) Y 10x2x0.6 mm² / J-Y (St) Y 10x2x0.8 mm² for the wiring.
- ▶ After wiring, place the insert sheet (Fig. 29) in the InControl pushbutton sensor.

Terminal M-WRG-II P-T / M-WRG-II E-T	Terminal blocks InControl pushbutton sensor		Wire colour	Function
	Pushbutton	LED		
1		GND		GND
2	+			+24 V DC
3	1			Reduced ventilation
4	2			Normal ventilation
5	3			Increased ventilation
6	4			Intensive ventilation
7		1		LED 1: reduced ventilation (*)
8		2		LED 2: normal ventilation (*)
9		3		LED 3: increased ventilation
10		4		LED 4: intensive ventilation
11	5			Supply air operation
12	6			Extract air operation
13				Unused
14				Unused
15		5		LED 5: supply air operation
16		6		LED 6: extract air operation
17				Unused
18				Unused

Table 5: Connecting the InControl pushbutton sensor to M-WRG-II P-T / M-WRG-II E-T ventilation unit

(*) Section 7.2.4 on page 27 explains what a flashing LED means.

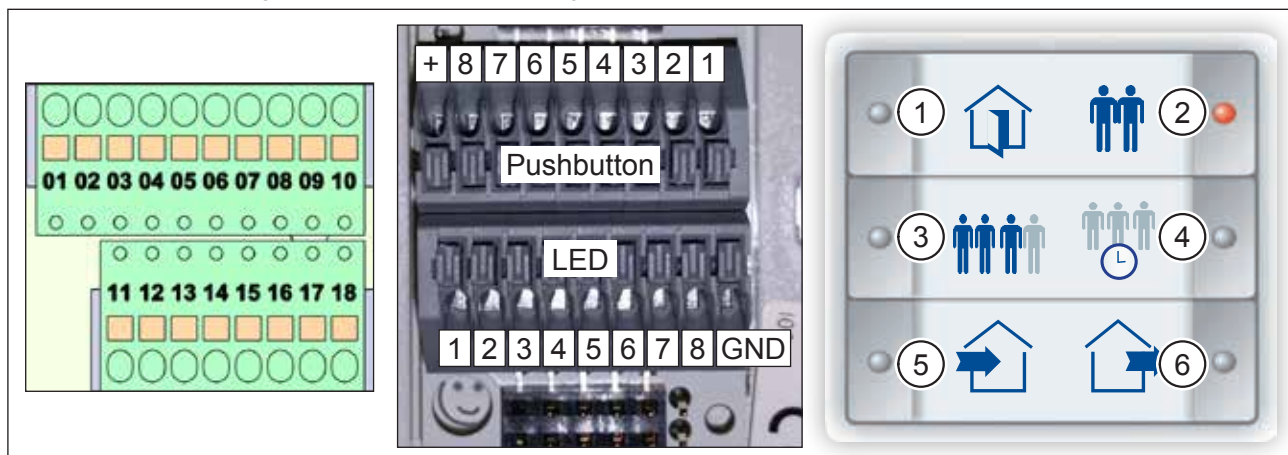


Fig. 29: Terminal blocks on ventilation unit, terminal blocks on InControl pushbutton sensor, insert sheet

15.5.2 Connecting the InControl pushbutton sensor to M-WRG-II P-T-F / M-WRG-II E-T-F

- ▶ Use J-Y (St) Y 10x2x0.6 mm² / J-Y (St) Y 10x2x0.8 mm² for the wiring.
- ▶ After wiring, place the insert sheet (Fig. 30) in the InControl pushbutton sensor.

Terminal M-WRG-II P-T-F / M-WRG-II E-T-F	Terminal blocks InControl pushbutton sensor		Wire colour	Function
	Pushbutton	LED		
1		GND		GND
2	+			+24 V DC
3	1			Reduced ventilation
4	2			Normal ventilation
5	3			Increased ventilation
6	4			Intensive ventilation
7		1		LED 1: reduced ventilation (*)
8		2		LED 2: normal ventilation (*)
9		3		LED 3: increased ventilation
10		4		LED 4: intensive ventilation
11	6			Supply air operation
12				Unused
13	5			Humidity control
14				Unused
15		6		LED 6: supply air operation
16				Unused
17		5		LED 5: humidity control (*)
18				Unused

Table 6: Connecting the InControl pushbutton sensor to M-WRG-II P-T-F / M-WRG-II E-T-F ventilation unit

(*) Section 7.2.4 on page 27 explains what a flashing LED means.

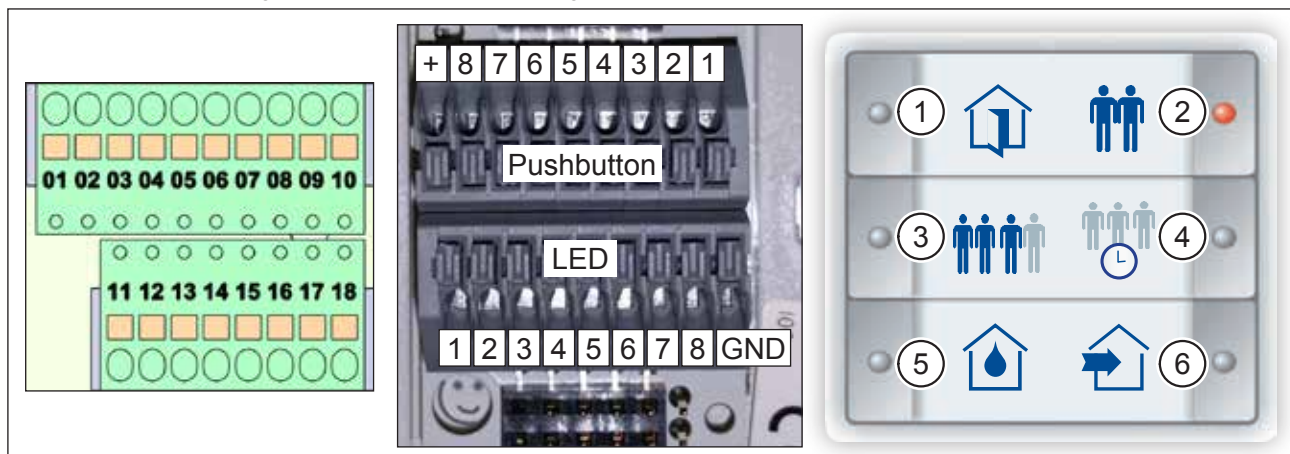


Fig. 30: Terminal blocks on ventilation unit, terminal blocks on InControl pushbutton sensor, insert sheet

15.5.3 Connecting the InControl pushbutton sensor to M-WRG-II P-T-FC / M-WRG-II E-T-FC

- ▶ Use J-Y (St) Y 10x2x0.6 mm² / J-Y (St) Y 10x2x0.8 mm² for the wiring.
- ▶ After wiring, place the insert sheet (Fig. 31) in the InControl pushbutton sensor.

Terminal M-WRG-II P-T-FC / M-WRG-II E-T-FC	Terminal blocks InControl pushbutton sensor		Wire colour	Function
	Pushbutton	LED		
1		GND		GND
2	+			+24 V DC
3	1			Reduced ventilation
4	2			Normal ventilation
5	3			Increased ventilation
6	4			Intensive ventilation
7		1		LED 1: reduced ventilation (*)
8		2		LED 2: normal ventilation (*)
9		3		LED 3: increased ventilation
10		4		LED 4: intensive ventilation
11				Unused
12				Unused
13	5			Humidity control
14	6			CO ₂ control or automatic mode
15				Unused
16				Unused
17		5		LED 5: humidity control (*)
18		6		LED 6: CO ₂ control or automatic mode (*)

Table 7: Connecting the InControl pushbutton sensor to M-WRG-II P-T-M-WRG-II P-T-FC / M-WRG-II E-T-FC ventilation unit

(*) Section 7.2.4 on page 27 explains what a flashing LED means.

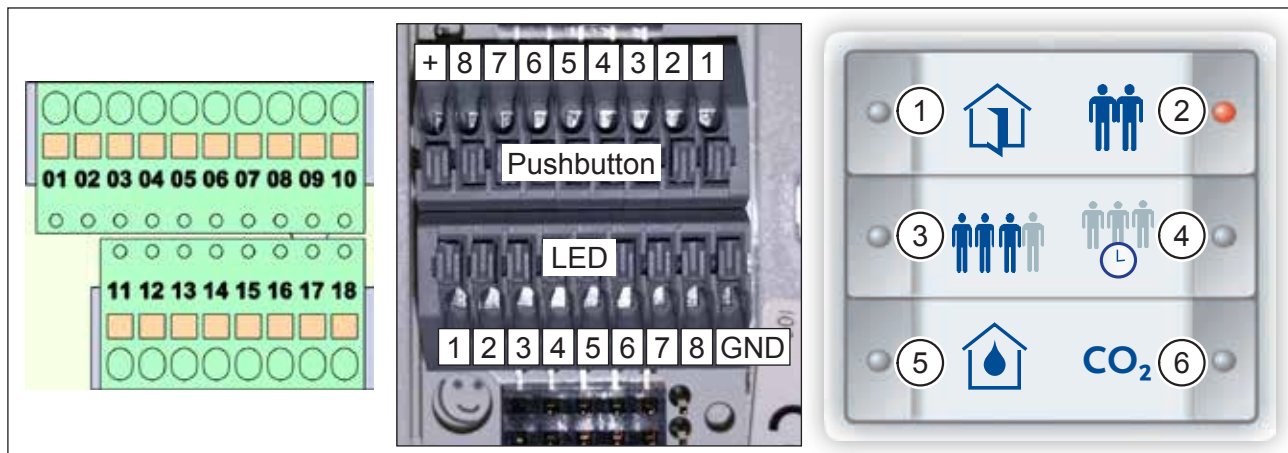


Fig. 31: Terminal blocks on ventilation unit, terminal blocks on InControl pushbutton sensor, insert sheet

15.6 Connection of 2 to 5 ventilation units

Up to five ventilation units can be controlled with one InControl pushbutton sensor. The following conditions must be met:

- The ventilation units must all be of the same type.
- All the ventilation units that are connected to the same InControl pushbutton sensor should be located in the same room.
- If possible, the control cables should be arranged and connected in a star configuration (see Fig. 32) from the ventilation units to the InControl pushbutton sensor.
- The cable between the ventilation unit and InControl pushbutton sensor should be no more than 15 m long.
- Ventilation unit 1 (master) must always be switched on. It generates the feedback for the LED on the InControl pushbutton sensor. Ventilation units 2 to 5 (slaves) only respond to switching commands from the InControl pushbutton sensor.

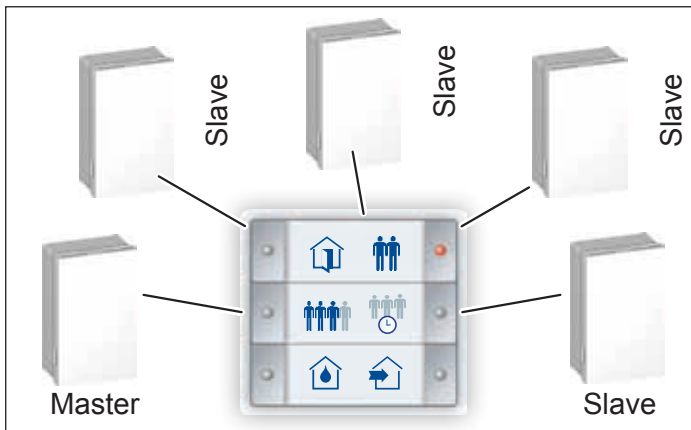


Fig. 32: Connecting the ventilation units in a star configuration

NOTICE

- Connect “+” only to the first ventilation unit (master).
- Connect “GND” to all the ventilation units (master + slaves).

15.6.1 Connecting the InControl pushbutton sensor to M-WRG-II P-T / M-WRG-II E-T

Terminal blocks InControl pushbutton sensor		Number M-WRG-II P-T / M-WRG-II E-T ventilation unit				
Pushbutton	LED	1 (master)	2 (slave)	3 (slave)	4 (slave)	5 (slave)
+		2				
1		3	3	3	3	3
2		4	4	4	4	4
3		5	5	5	5	5
4		6	6	6	6	6
5		11	11	11	11	11
6		12	12	12	12	12
	GND	1	1	1	1	1
	1	7				
	2	8				
	3	9				
	4	10				
	5	15				
	6	16				

Table 8: Connecting the InControl pushbutton sensor to M-WRG-II P-T / M-WRG-II E-T

15.6.2 Connecting the InControl pushbutton sensor to M-WRG-II P-T-F / M-WRG-II E-T-F

Terminal blocks InControl pushbutton sensor		Number M-WRG-II P-T-F / M-WRG-II E-T-F ventilation unit				
Pushbutton	LED	1 (master)	2 (slave)	3 (slave)	4 (slave)	5 (slave)
+		2				
1		3	3	3	3	3
2		4	4	4	4	4
3		5	5	5	5	5
4		6	6	6	6	6
5		13	13	13	13	13
6		11	11	11	11	11
	GND	1	1	1	1	1
	1	7				
	2	8				
	3	9				
	4	10				
	5	17				
	6	15				

Table 9: Connecting the InControl pushbutton sensor to M-WRG-II P-T-F / M-WRG-II E-T-F

15.6.3 Connecting the InControl pushbutton sensor to M-WRG-II P-T-FC / M-WRG-II E-T-FC

Terminal blocks InControl pushbutton sensor		Number M-WRG-II P-T-FC / M-WRG-II E-T-FC ventilation unit				
Pushbutton	LED	1 (master)	2 (slave)	3 (slave)	4 (slave)	5 (slave)
+		2				
1		3	3	3	3	3
2		4	4	4	4	4
3		5	5	5	5	5
4		6	6	6	6	6
5		13	13	13	13	13
6		14	14	14	14	14
	GND	1	1	1	1	1
	1	7				
	2	8				
	3	9				
	4	10				
	5	17				
	6	18				

Table 10: Connecting the InControl pushbutton sensor to M-WRG-II P-T-FC / M-WRG-II E-T-FC

15.7 Final tasks

- ▶ Insert the electronics compartment cover plate once more and fix it in position with the Torx screw (see Fig. 25 on page 43).
- ▶ Close the ventilation unit with the unit cover (see section 12.3.6 on page 39).

16 Installing the three-step rotary switch with zero position

This section describes how to connect the three-step rotary switch with zero position electrically to the ventilation unit.

WARNING

The activities described in this chapter must only be carried out by technicians with the following qualifications:

- Training in the installation and commissioning of electrical devices
- Training in electrical hazards and the local safety requirements
- Knowledge of the relevant standards and directives
- Knowledge and observance of this document and all the safety instructions (see chapter “2 Safety instructions” from page 12)

NOTICE

- The ventilation unit may be damaged if the control cable is connected incorrectly. This will also invalidate the warranty.
- Also follow the installation manual for the M-WRG-II ventilation units (see section 1.12 on page 11).
- The installation must be carried out in accordance with the generally acknowledged rules of technology.

16.1 Switching off power to the ventilation unit

DANGER

Potentially fatal voltages

- The electrical installation work must only be carried out by a qualified electrician.
- The VDE regulations or any special safety regulations applicable in your country apply to the electrical installation work.
- ▶ Before starting installation or maintenance work, disconnect the mains cable for connecting to the ventilation unit on all poles from the mains supply.
- ▶ Observe the five safety rules (DIN VDE 0105-100, EN 50110-1) for working on electrical systems:
 - Disconnect from mains (all-pole disconnection of a system from live parts)
 - Secure against reconnection
 - Check that the system is voltage-free
 - Earth and short-circuit
 - Cover or block off access to adjacent live parts

16.2 Removing the cover from the ventilation unit

- ▶ Using both thumbs, press the two latches (item 1 in Fig. 24) on the bottom of the ventilation unit. The unit cover will come away.
- ▶ At the same time, push your index fingers into the gap between the unit cover and housing, and lift the unit cover up and away from the housing.



Fig. 33: Removing the cover from the ventilation unit

16.3 Removing the electronics compartment cover plate

- ▶ Use the screwdriver to loosen the Torx screw (item 1 in Fig. 25) on the electronics compartment cover plate (item 2 in Fig. 25).
- ▶ Remove the electronics compartment cover plate to access the connection board (item 3 in Fig. 25).

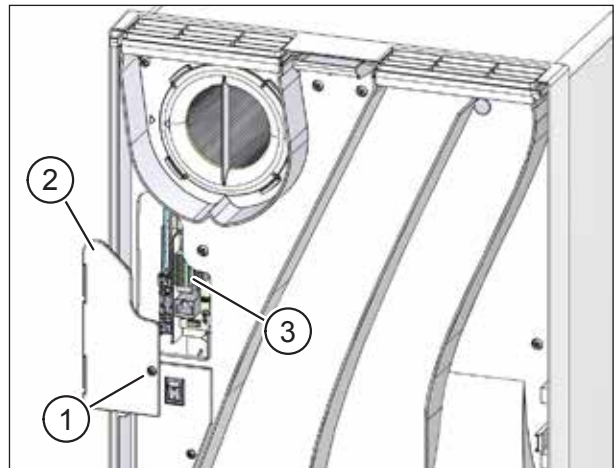


Fig. 34: Removing the electronics compartment cover plate

16.4 Overview of the modules

16.4.1 Connection board in the ventilation unit with terminal assignment

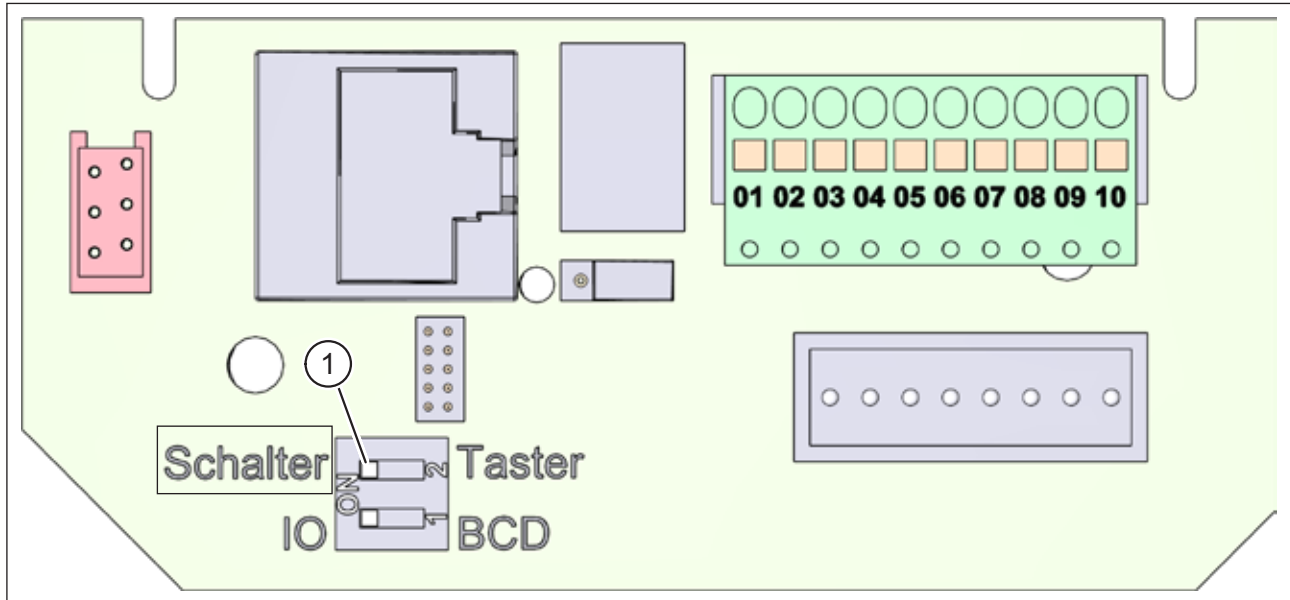


Fig. 35: Connection board in the ventilation unit with terminal assignment

NOTICE

DIP switch 2 (item 1 in Fig. 35) is set to the “Taster (pushbutton)” position at the factory. In association with the three-step rotary switch, DIP switch 2 must be set to the “Schalter (switch)” position.

16.4.2 Three-step rotary switch with zero position

To operate the ventilation units, you will need a three-step rotary switch with zero position (provided by the customer). A suitable example is available from BUSCH-JAEGER or GIRA.

The three-step rotary switch is used to select one of three different ventilation levels/programs. In the zero position, the ventilation unit is in standby mode.

16.4.3 Optional pushbutton for intensive ventilation and optional LED for feedback

You can start the ventilation unit’s intensive ventilation level with an optional pushbutton provided by the customer.

If required, you can use an LED to display when the intensive ventilation is active.

16.5 Setting DIP switch 2 to the “Schalter (switch)” position

- ▶ Set DIP switch 2 on the connection board to the “Schalter (switch)” position (see item 1 in Fig. 35 on page 54).

16.6 Connecting the control cable and optional pushbutton/LED to the ventilation unit boards

- ▶ Connect the control cable and optional pushbutton/LED to the ventilation unit boards (see terminal assignment in section 16.6.1 and circuit diagram in Fig. 36 on page 56).
- ▶ Use J-Y (St) Y 4x2x0.6 mm² / J-Y (St) Y 4x2x0.8 mm² for the wiring.

16.6.1 Terminal assignment (example of a BUSCH-JAEGER three-step rotary switch with zero position)

Terminal on board	Terminal on three-step rotary switch with zero position (BUSCH-JAEGER)	Optional push-button for intensive ventilation	Optional LED for intensive ventilation feedback (24 VDC)	Function	Wire colour
01			X (cathode)	0 V	
02	2	X		+24 V DC	
03	1			Reduced ventilation	
04	5			Normal ventilation	
05	3			Increased ventilation (*) / humidity control (*) / automatic mode (*)	
06		X		Intensive ventilation	
07					
08					
09					
10			X (anode)	Intensive ventilation feedback	

Table 11: Control cable terminal assignment for M-WRG-II P (-F, -FC) / M-WRG-II E (-F, -FC)

(*) depends on the type of device, see section 7.3 on page 28

NOTICE

The terminal assignment in section 16.6.1 and the circuit diagram in section 16.6.2 on page 56 only apply if a three-step rotary switch from BUSCH-JAEGER is used.

Please note that the terminal assignment and circuit diagram may be different if a rotary switch from another manufacturer is used.

16.6.2 Circuit diagram (example of a BUSCH-JAEGER three-step rotary switch with zero position)

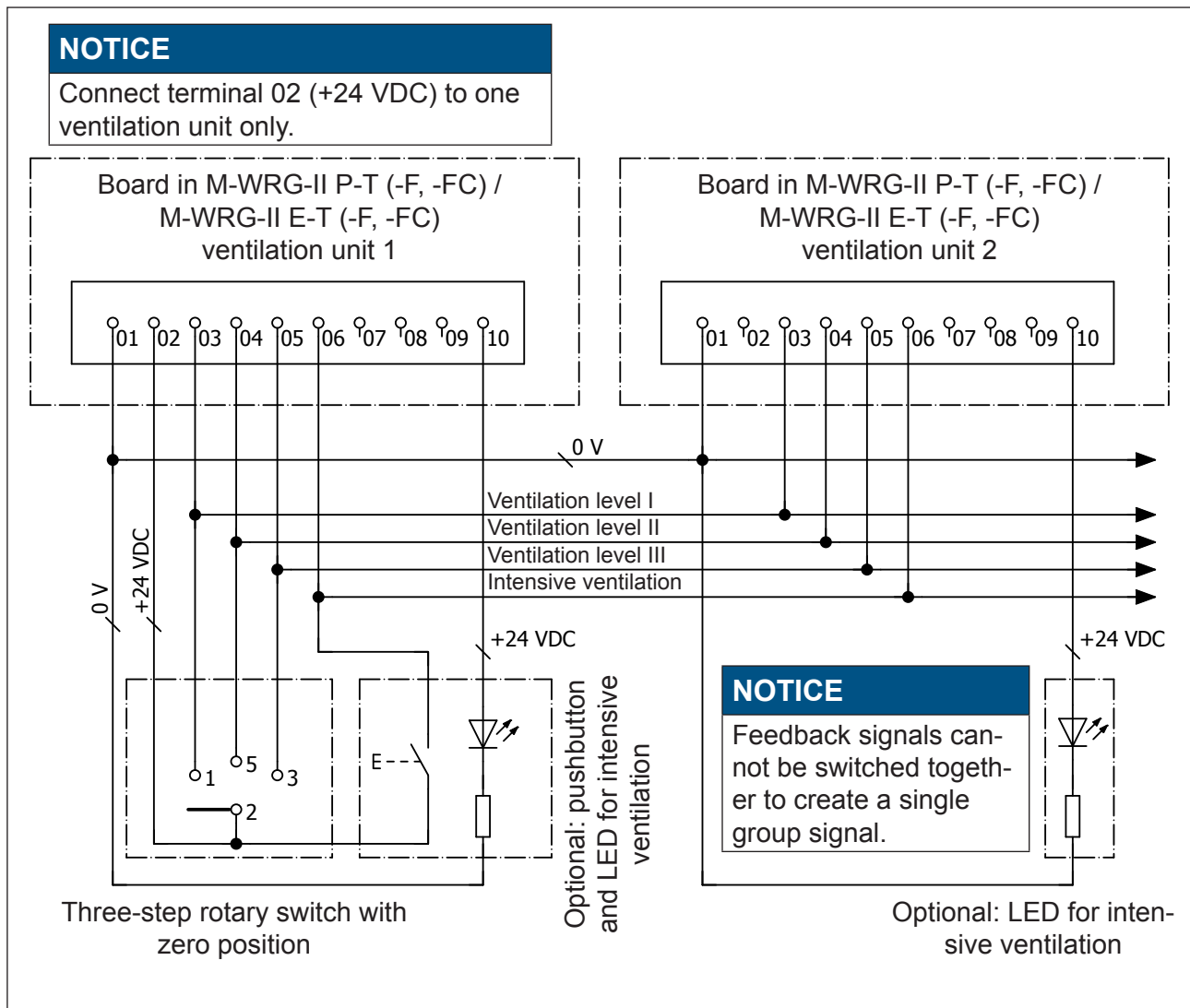


Fig. 36: Circuit diagram for wiring M-WRG-II P-T (-F, -FC) / M-WRG-II E-T (-F, -FC) ventilation units with control cable and optional pushbutton/LED

NOTICE

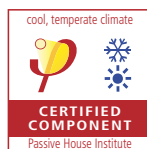
- One to five ventilation units may be connected to the three-step rotary switch and to the intensive ventilation pushbutton. No separate power supply is needed.
- Please note the following if you intend to connect more than one ventilation unit to the three-step rotary switch:
 - The terminals 01 (0 V) of all ventilation units must be connected to one another (see Fig. 36).
 - The terminal 02 (+24 V DC) of the three-step rotary switch may only be connected to the terminal 02 of a single ventilation unit (see Fig. 36).
- The feedback from multiple ventilation units for intensive ventilation cannot be combined in a single group signal.
- The total length of the control cable must not exceed 50 m.

16.7 Final tasks

- ▶ Insert the electronics compartment cover plate once more and fix it in position with the Torx screw (see Fig. 25 on page 43).
- ▶ Close the ventilation unit with the unit cover (see section 12.3.6 on page 39).



Space for notes



We have checked the content of this publication for conformity with the unit described in it. There may nevertheless still be differences, so we cannot guarantee complete accuracy.

The information in this publication is regularly checked and any necessary corrections are made in subsequent editions.

Copyright © Meltem Wärmerückgewinnung GmbH & Co. KG

We reserve the right to make changes.

Meltem Wärmerückgewinnung GmbH & Co. KG

Am Hartholz 4

D-82239 Alling

Germany

Tel. +49 8141 404179-0

Fax +49 8141 404179-9

Internet: www.meltem.com

Email: info@meltem.com



Go to
Meltem download area

